

## EMERGENCY EXIT SIGNS

### EXIT S

**MATERIALS:**

White, grey or black polycarbonate body  
Transparent polycarbonate cover  
Plexi glass

**MOUNTING:**

Surface (wall, ceiling\*)  
Optionally recessed\*\* (wall, ceiling\*)  
Optionally pendant\*\*\* (ceiling)

**POWER SUPPLY:**

Self contained – 220÷240VAC/50÷60Hz  
Central battery –220÷240VAC/50÷60Hz; 176 - 275VDC  
Central battery FZLV – 24VDC

**LIGHT SOURCE:**

1W, 2W LED

**CHARGING:**

BASIC: max. 24h  
STANDARD: max. 24h  
PREMIUM: max. 12h; energy-saving electronic charger

**AUTONOMY AND BATTERIES:**

BASIC: 1h or 3h, Ni-Cd 3,6V batteries  
STANDARD: 1h or 3h, Ni-Cd 3,6V batteries  
PREMIUM: 1h or 3h, LiFePO<sub>4</sub> 6,4V batteries

**INSULATION CLASS:**

II or III

**IP RATING:**

IP65

**VIEWING DISTANCE:**

20m

**AMBIENT TEMPERATURE:**

t<sub>a</sub>: 0°C ÷ 40°C  
t<sub>a</sub>: -25°C ÷ 40°C – together with heater for low temperatures

**OPTIONS:**

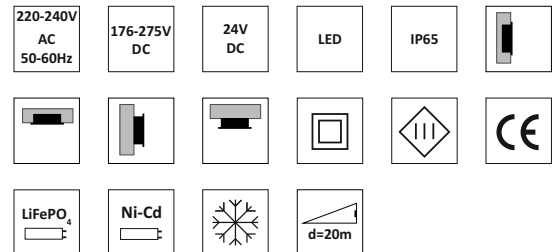
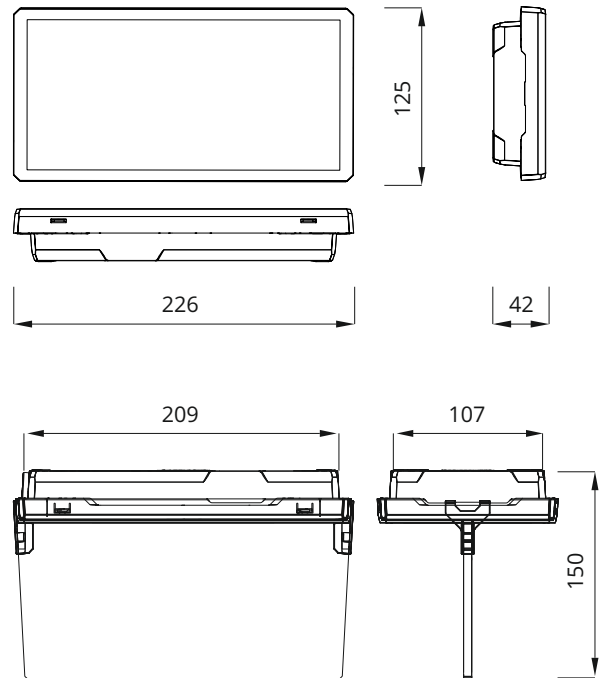
SE – non maintained  
SA – non maintained/maintained  
PT – manual test button  
AT – autotest  
RU – Rubic UNA central monitoring  
FZLV – central battery FZLV 24VDC  
CB – central battery

**ADDITIONAL INFORMATION:**

LED indicator signalizes mains power supply and battery charging  
Deep discharge protection  
Optional adaptation of the fixture for low temperatures up to -25°C  
III class of insulation of FZLV version  
\*additional plexi for two-sided emergency exit signs  
\*\*requires an accessory for recessed mounting  
\*\*\*requires an accessory for pendant mounting



**DIMENSIONS (mm):**



-see Pictogram

## EMERGENCY EXIT SIGNS

### SELF-CONTAINED CONFIGURATION

CODE	POWER	MODULE	AUTONOMY [h]		MODE	OPTIONS	COLOR		
<b>BASIC</b>									
ETS	1W	E	1	3	SE	PT AT X	WH	GR	BL
<b>STANDARD</b>									
ETS	1W	C	1	3	SA	PT X	WH	GR	BL
ETS	2W	C	1	3	SA	PT X	WH	GR	BL
<b>PREMIUM</b>									
ETS	1W	B	1	3	SA	AT RU	WH	GR	BL
ETS	2W	B	1	3	SA	AT RU	WH	GR	BL

### CENTRAL BATTERY CONFIGURATION - NON-ADDRESSABLE

CODE	POWER	MODULE	SYSTEM	OPTIONS	COLOR		
ETS	1W	F	CB	CBS X	WH	GR	BL
ETS	2W	F	CB	CBS X	WH	GR	BL

### CENTRAL BATTERY CONFIGURATION - ADDRESSABLE

CODE	POWER	MODULE	SYSTEM	OPTIONS	COLOR		
ETS	1W	Z	CB	ADE ADP	WH	GR	BL
ETS	2W	Z	CB	ADE ADP	WH	GR	BL

### FZLV SYSTEM CONFIGURATION

CODE	POWER	SYSTEM	COLOR		
ETS	1W	FZLV	WH	GR	BL
ETS	2W	FZLV	WH	GR	BL



### LEGENDA:

- ETS – fitting EXIT S
- E – electronic gear for BASIC self-contained fittings
- C – electronic gear for STANDARD self-contained fittings
- B – electronic gear for PREMIUM self-contained fittings
- F – electronic gear for central battery fittings
- Z – electronic gear for addressable central battery fittings
- SE – non-maintained
- SA – non-maintained/maintained
- PT – manual test button
- X – fitting without additional options
- AT – autotest
- RU – RUBIC UNA central monitoring system
- CB – central battery version
- CBS – central battery for circuit monitoring
- ADE – central battery with ADE address module
- ADP – central battery with ADP address module – SMART technology
- FZLV – central battery FZLV 24 VDC
- WH – white color
- GR – grey color
- BL – black color