



Halogen reflector

13095 250W GY5.3 120V 1CT

Quartz halogen lamps with integral reflector which serves as an efficient mirror condenser system

Product data

• General Characteristics

Philips Code	13095
ANSI Code	-
LIF Code	-
Cap-Base	GY5.3
Bulb Material	Quartz-UV Open
Reflector Finish	Facetted
Burning Position	s90
Main Application	Projection
Life to 50% failures	175 hr

• Light Technical Characteristics

Colour Rendering Index	100 Ra8
Colour Temperature Technical	3250 K
Lamp Luminous Flux	800 Lm

• Electrical Characteristics

Rated Lamp Wattage	250 W
Voltage	120 V
Dimmable	yes

• Luminaire Design Requirements

Pinch Temperature	350 (max) C
-------------------	-------------

Bulb Temperature	900 (max) C
Working Distance WD	152.4 mm

• Product Dimensions

Overall Length C	44.45 (max) mm
Diameter D	50.67 (max) mm
Filament Dimensions (WxH) [mm]	-

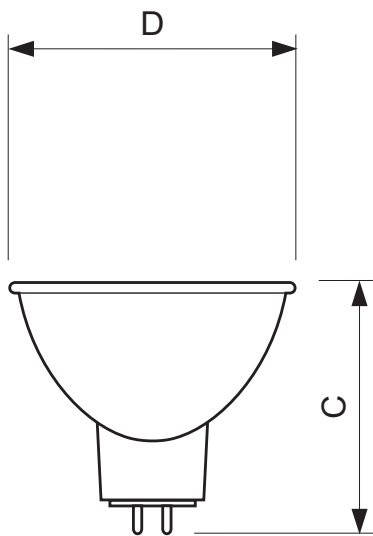
• Product Data

Order code	410627 30
Full product code	871150041062730
Full product name	13095 250W GY5.3 120V 1CT
Order product name	13095 250W GY5.3 120V 1CT/24
Pieces per pack	1
Packing configuration	24
Packs per outerbox	24
Bar code on pack - EAN1	8711500410627
Bar code on outerbox - EAN3	8711500419064
Logistic code(s) - 12NC	923921536394
Net weight per piece	0.026 kg

PHILIPS

Halogen reflector

Dimensional drawing



GY5.3

13095 250W GY5.3 120V 1CT

Product	C (Max)	D (Max)	L (Min)	L (Norm)	L (Max)
13095 250W GY5.3 120V	44.45	50.67	-	-	-



© 2014 Koninklijke Philips N.V. (Royal Philips)
All rights reserved.

Specifications are subject to change without notice. Trademarks are the property of Koninklijke Philips N.V. (Royal Philips) or their respective owners.

www.philips.com/lighting

2014, February 12
data subject to change