

Halogen reflector

13117 150W GX5.3 17V 1CT



Quartz halogen lamps with integral reflector which serves as an efficient mirror condenser system

Product data

• General Characteristics

Philips Code	13117
ANSI Code	-
LIF Code	-
Cap-Base	GX5.3
Bulb	R50
Bulb Material	Quartz-UV Open
Reflector Finish	Smooth
Burning Position	any
Main Application	Projection
Life to 50% failures	1000 hr

• Light Technical Characteristics

Colour Rendering Index	100 Ra8
Colour Temperature Technical	3200 K

• Electrical Characteristics

Rated Lamp Wattage	150 W
Voltage	17 V
Dimmable	yes

• Luminaire Design Requirements

Pinch Temperature	350 (max) C
-------------------	-------------

Bulb Temperature	900 (max) C
------------------	-------------

• Product Dimensions

Overall Length C	47 (max) mm
Diameter D	50 (max) mm
Filament Dimensions (WxH) [mm]	-

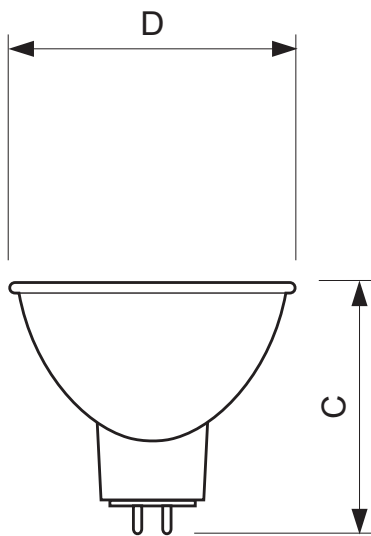
• Product Data

Order code	409935 60
Full product code	871150040993560
Full product name	13117 150W GX5.3 17V 1CT
Order product name	13117 150W GX5.3 17V 1CT/10X5F
Pieces per pack	1
Packing configuration	10X5F
Packs per outerbox	50
Bar code on pack - EAN1	8711500409935
Bar code on intermediate packing - EAN2	8711500420237
Bar code on outerbox - EAN3	8711500420244
Logistic code(s) - 12NC	923915819104
Net weight per piece	0.026 kg

PHILIPS

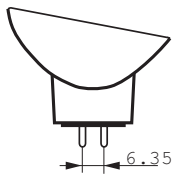
Halogen reflector

Dimensional drawing



13117 150W GX5.3 17V 1CT

Product	C (Max)	D (Max)	L (Min)	L (Norm)	L (Max)
13117 150W GX5.3 17V	47	50	-	-	-



GX5.3



© 2014 Koninklijke Philips N.V. (Royal Philips)
All rights reserved.

Specifications are subject to change without notice. Trademarks are the property of Koninklijke Philips N.V. (Royal Philips) or their respective owners.

www.philips.com/lighting

2014, April 17
data subject to change