

Halogen reflector

13155 30W GX5.3 13.8V 1CT



Quartz halogen lamps with integral reflector which serves as an efficient mirror condenser system

Product data

• General Characteristics

Philips Code	13155
ANSI Code	FJX
J Code	-
LIF Code	-
Cap-Base	GX5.3
Cap-Base Information	-
Bulb	R50
Bulb Material	Quartz-UV Open
Reflector Finish	Smooth
Filament Shape	-
Burning Position	s105
Main Application	Projection
Life to 50% failures	500 hr

• Light Technical Characteristics

Colour Rendering Index	100 Ra8
Colour Temperature Technical	3150 K

• Electrical Characteristics

Rated Lamp Wattage	30 W
Voltage	13.8 V
Dimmable	yes

• Luminaire Design Requirements

Pinch Temperature	350 (max) C
-------------------	-------------

Bulb Temperature	900 (max) C
Working Distance WD	108 mm

• Product Dimensions

Overall Length C	45 (max) mm
Diameter D	50 (max) mm
Filament Dimensions (WxH) [mm]	-

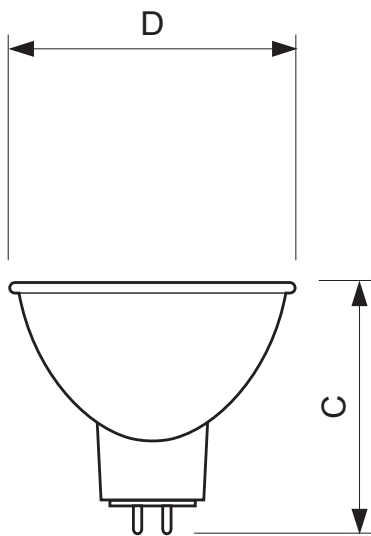
• Product Data

Order code	410306 60
Full product code	871150041030660
Full product name	13155 30W GX5.3 13.8V 1CT
Order product name	13155 30W GX5.3 13.8V 1CT/10X5F
Pieces per pack	1
Packing configuration	10X5F
Packs per outerbox	50
Bar code on pack - EAN1	8711500410306
Bar code on intermediate packing - EAN2	8711500421043
Bar code on outerbox - EAN3	8711500421050
Logistic code(s) - 12NC	923893518204
Net weight per piece	0.027 kg

PHILIPS

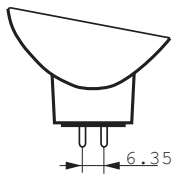
Halogen reflector

Dimensional drawing



13155 30W GX5.3 13.8V 1CT

Product	C (Max)	D (Max)	L (Min)	L (Norm)	L (Max)
13155 30W GX5.3 13.8V	45	50	-	-	-



GX5.3



© 2014 Koninklijke Philips N.V. (Royal Philips)
All rights reserved.

Specifications are subject to change without notice. Trademarks are the property of Koninklijke Philips N.V. (Royal Philips) or their respective owners.

www.philips.com/lighting

2014, April 17
data subject to change