

Halogen reflector

13163 250W GX5.3 24V 1CT



Quartz halogen lamps with integral reflector which serves as an efficient mirror condenser system

Product data

• General Characteristics

Philips Code	13163
ANSI Code	ELC
LIF Code	A1/259
Cap-Base	GX5.3
Bulb	R50
Bulb Material	Quartz-UV Open
Reflector Finish	Smooth
Burning Position	s105
Main Application	Projection
Life to 50% failures	35 hr

• Light Technical Characteristics

Colour Rendering Index	100 Ra8
Colour Temperature Technical	3400 K
Lamp Luminous Flux	850 Lm

• Electrical Characteristics

Rated Lamp Wattage	250 W
Voltage	24 V
Dimmable	yes

• Luminaire Design Requirements

Pinch Temperature	400 (max) C
Bulb Temperature	900 (max) C

Working Distance WD	32 mm
---------------------	-------

• Product Dimensions

Overall Length C	45 (max) mm
Diameter D	50 (max) mm
Filament Dimensions (WxH) [mm]	-

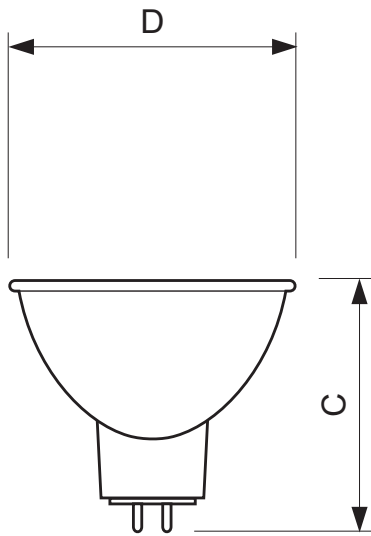
• Product Data

Order code	409751 60
Full product code	871150040975160
Full product name	13163 250W GX5.3 24V 1CT
Order product name	13163 250W GX5.3 24V 1CT/10X5F
Pieces per pack	1
Packing configuration	10X5F
Packs per outerbox	50
Bar code on pack - EAN1	8711500409751
Bar code on intermediate packing - EAN2	8711500419422
Bar code on outerbox - EAN3	8711500419415
Logistic code(s) - 12NC	923919720501
Net weight per piece	0.024 kg

PHILIPS

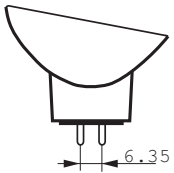
Halogen reflector

Dimensional drawing



13163 250W GX5.3 24V 1CT

Product	C (Max)	D (Max)	L (Min)	L (Norm)	L (Max)
13163 250W GX5.3 24V	45	50	-	-	-



GX5.3



© 2014 Koninklijke Philips N.V. (Royal Philips)
All rights reserved.

Specifications are subject to change without notice. Trademarks are the property of Koninklijke Philips N.V. (Royal Philips) or their respective owners.

www.philips.com/lighting

2014, February 12
data subject to change