

Halogen reflector

13164 200W GX5.3 24V 1CT



Quartz halogen lamps with integral reflector which serves as an efficient mirror condenser system

Product data

• General Characteristics

Philips Code	13164
ANSI Code	EJL
LIF Code	A1/252
Cap-Base	GX5.3
Bulb Material	Quartz-UV Open
Reflector Finish	Smooth
Burning Position	s90
Main Application	Projection
Life to 50% failures	50 hr

• Light Technical Characteristics

Colour Rendering Index	100 Ra8
Colour Temperature Technical	3400 K
Lamp Luminous Flux	1100 Lm

• Electrical Characteristics

Rated Lamp Wattage	200 W
Voltage	24 V
Dimmable	yes

• Luminaire Design Requirements

Pinch Temperature	400 (max) C
-------------------	-------------

Bulb Temperature	900 (max) C
Working Distance WD	32 mm

• Product Dimensions

Overall Length C	44.45 (max) mm
Diameter D	50.67 (max) mm
Filament Dimensions (WxH) [mm]	-

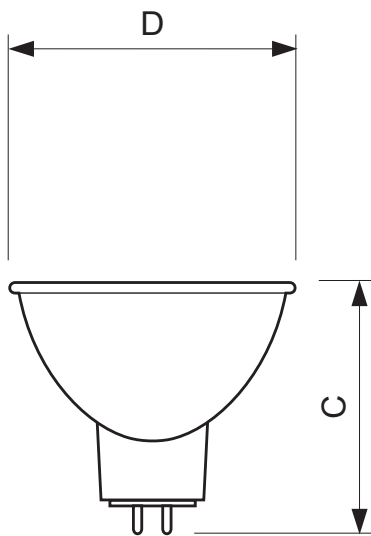
• Product Data

Order code	410580 30
Full product code	871150041058030
Full product name	13164 200W GX5.3 24V 1CT
Order product name	13164 200W GX5.3 24V 1CT/24
Pieces per pack	1
Packing configuration	24
Packs per outerbox	24
Bar code on pack - EAN1	8711500410580
Bar code on outerbox - EAN3	8711500419026
Logistic code(s) - 12NC	923921120594
Net weight per piece	0.025 kg

PHILIPS

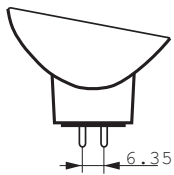
Halogen reflector

Dimensional drawing



13164 200W GX5.3 24V 1CT

Product	C (Max)	D (Max)	L (Min)	L (Norm)	L (Max)
13164 200W GX5.3 24V	44.45	50.67	-	-	-



GX5.3



© 2014 Koninklijke Philips N.V. (Royal Philips)
All rights reserved.

Specifications are subject to change without notice. Trademarks are the property of Koninklijke Philips N.V. (Royal Philips) or their respective owners.

www.philips.com/lighting

2014, February 12
data subject to change