

# Halogen reflector

13289 50W GX5.3 13.8V 1CT



Quartz halogen lamps with integral reflector which serves as an efficient mirror condenser system

## Product data

### • General Characteristics

Philips Code	13289
ANSI Code	-
LIF Code	-
Cap-Base	GX5.3
Bulb	R50
Bulb Material	Quartz-UV Open
Reflector Finish	Smooth
Burning Position	any
Main Application	Projection
Life to 50% failures	1000 hr

### • Light Technical Characteristics

Colour Rendering Index	100 Ra8
------------------------	---------

### • Electrical Characteristics

Rated Lamp Wattage	50 W
Voltage	13.8 V
Dimmable	yes

### • Luminaire Design Requirements

Pinch Temperature	350 (max) C
Bulb Temperature	900 (max) C
Working Distance	53 mm
WD	

### • Product Dimensions

Overall Length C	46 (max) mm
Diameter D	50 (max) mm
Filament Dimensions (WxH) [mm]	-

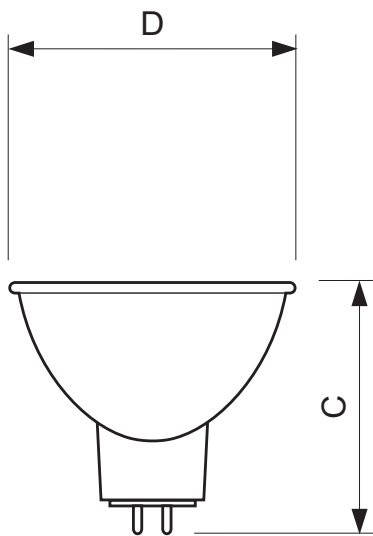
### • Product Data

Order code	410337 60
Full product code	871150041033760
Full product name	13289 50W GX5.3 13.8V 1CT
Order product name	13289 50W GX5.3 13.8V 1CT/10X5F
Pieces per pack	1
Packing configuration	10X5F
Packs per outerbox	50
Bar code on pack - EAN1	8711500410337
Bar code on intermediate packing - EAN2	8711500421630
Bar code on outerbox - EAN3	8711500421647
Logistic code(s) - 12NC	923931518204
Net weight per piece	0.026 kg

**PHILIPS**

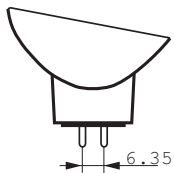
# Halogen reflector

## Dimensional drawing



### 13289 50W GX5.3 13.8V 1CT

Product	C (Max)	D (Max)	L (Min)	L (Norm)	L (Max)
13289 50W GX5.3 13.8V	46	50	-	-	-



GX5.3



© 2014 Koninklijke Philips N.V. (Royal Philips)  
All rights reserved.

Specifications are subject to change without notice. Trademarks are the property of Koninklijke Philips N.V. (Royal Philips) or their respective owners.

[www.philips.com/lighting](http://www.philips.com/lighting)

2014, February 12  
data subject to change