

Halogen reflector

13865 75W G5.3/4.8 12V 1CT

Quartz halogen lamps with integral reflector which serves as an efficient mirror condenser system



Product data

• General Characteristics

Philips Code	13865
ANSI Code	-
J Code	-
LIF Code	-
Cap-Base	G5.3
Cap-Base Information	4.8
Bulb	R35
Bulb Material	Quartz-UV Open
Reflector Finish	Smooth Dichroic
Filament Shape	-
Burning Position	s105
Main Application	Dental Hardening
Life to 50% failures	50 hr

• Light Technical Characteristics

Colour Rendering Index	100 Ra8
Colour Temperature Technical	3400 K
Curing Power Area 400-500nm	480 mW/cm ²

• Electrical Characteristics

Rated Lamp Wattage	75 W
Voltage	12 V
Dimmable	yes

• Luminaire Design Requirements

Pinch Temperature	400 (max) C
-------------------	-------------

Bulb Temperature	900 (max) C
Working Distance WD	26 mm

• Product Dimensions

Overall Length C	37 (max) mm
Diameter D	25 (max) mm
Filament Dimensions (WxH) [mm]	-

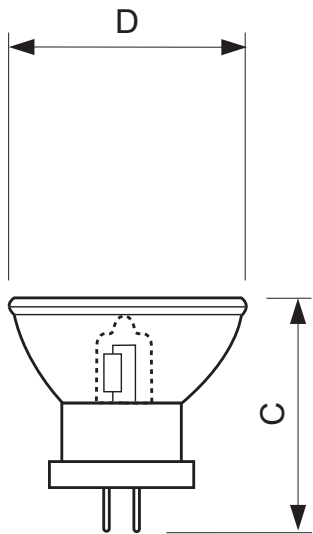
• Product Data

Order code	410719 60
Full product code	871150041071960
Full product name	13865 75W G5.3/4.8 12V 1CT
Order product name	13865 75W G5.3/4.8 12V 1CT/10X5F
Pieces per pack	1
Packing configuration	10X5F
Packs per outerbox	50
Bar code on pack - EAN1	8711500410719
Bar code on intermediate packing - EAN2	8711500423399
Bar code on outerbox - EAN3	8711500423405
Logistic code(s) - 12NC	924010017104
Net weight per piece	0.013 kg

PHILIPS

Halogen reflector

Dimensional drawing



13865 75W G5.3/4.8 12V 1CT

Product	C (Max)	D (Max)	L (Min)	L (Norm)	L (Max)
13865 75W G5.3/4.8 12V	37	25	-	-	-



G5.3



© 2014 Koninklijke Philips N.V. (Royal Philips)
All rights reserved.

Specifications are subject to change without notice. Trademarks are the property of Koninklijke Philips N.V. (Royal Philips) or their respective owners.

www.philips.com/lighting

2014, April 17
data subject to change