



Halogen reflector

6834 100W GZ6.35 12V 1CT

Quartz halogen lamps with integral reflector which serves as an efficient mirror condenser system

Product data

• General Characteristics

Philips Code	6834
ANSI Code	EFP
LIF Code	A1/231
Cap-Base	GZ6.35
Bulb	R50
Bulb Material	Quartz-UV Open
Reflector Finish	Smooth
Burning Position	s90
Main Application	Projection
Life to 50% failures	50 hr

• Light Technical Characteristics

Colour Rendering Index	100 Ra8
Colour Temperature Technical	3400 K

• Electrical Characteristics

Rated Lamp Wattage	100 W
Voltage	12 V
Dimmable	yes

• Luminaire Design Requirements

Pinch Temperature	400 (max) C
Bulb Temperature	900 (max) C

Working Distance WD	32 mm
---------------------	-------

• Product Dimensions

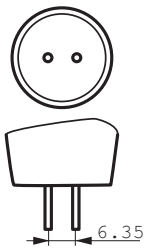
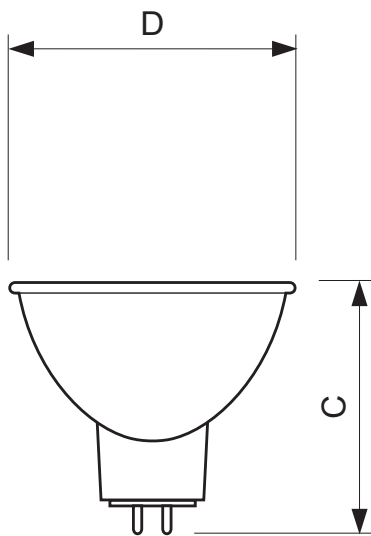
Overall Length C	42 (max) mm
Diameter D	50 (max) mm
Filament Dimensions (WxH) [mm]	-

• Product Data

Order code	427311 60
Full product code	871150042731160
Full product name	6834 100W GZ6.35 12V 1CT
Order product name	6834 100W GZ6.35 12V 1CT/10X5F
Pieces per pack	1
Packing configuration	10X5F
Packs per outerbox	50
Bar code on pack - EAN1	8711500427311
Bar code on intermediate packing - EAN2	8711500440716
Bar code on outerbox - EAN3	8711500427328
Logistic code(s) - 12NC	923916717104
Net weight per piece	0.024 kg

PHILIPS

Dimensional drawing



GZ6.35

6834 100W GZ6.35 12V 1CT

Product	C (Max)	D (Max)	L (Min)	L (Norm)	L (Max)
6834 100W GZ6.35 12V	42	50	-	-	-



© 2014 Koninklijke Philips N.V. (Royal Philips)
All rights reserved.

Specifications are subject to change without notice. Trademarks are the property of Koninklijke Philips N.V. (Royal Philips) or their respective owners.

www.philips.com/lighting

2014, February 12
data subject to change