

# Halogen High Voltage SE (Film/Studio)

6984P 1000W GX9.5 230V 1CT



The high, constant output and consistent color temperature of these single ended halogen lamps ensure attractive, accurately exposed pictures for both film and video. Furthermore, these lamps incorporate the highly innovative P3 technology, developed by Philips. This allows the lamps to be used at higher temperatures, which extends overall lifetime and consistency of their high-quality light output. P3 technology also allows the lamp to be used in any burning position and enables more compact designs of fixtures. In addition, the very wide choice of dimensions and power ratings opens new levels of creative freedom for the luminaire designer.

## Product data

### • General Characteristics

Philips Code	6984P
ANSI Code	-
LIF Code	CP/63
System Description	P3 Technology
Cap-Base	GX9.5
Bulb Finish	Reflector
Filament Shape	Bi-Plane
Operating Position	any
Main Application	Entertainment
Life to 50% failures	180 hr

### • Light Technical Characteristics

Color Temperature	3200 K
Technical	
Luminous Flux Lamp	22500 Lm

### • Electrical Characteristics

Lamp Wattage	1000 W
Voltage	230 V
Dimmable	Yes
Rapid Acting HBC	6.3 V
Fuse	

### • Luminaire Design Requirements

Pinch Temperature	500 (max) C
Bulb Temperature	900 (max) C

### • Product Dimensions

Overall Length C	110 (max) mm
Diameter D	23 (max) mm
Pin Length K	8.4 (min), 9.2 (max) mm
Light Center Length L	55 mm
Pin Diameter P	3.10 (min), 3.25 (max) mm
Pin Distance R	9.53 mm
Filament Dimensions (WxH) [mm]	15x13
Filament Height H	13 mm
Filament Length W	15.5 mm

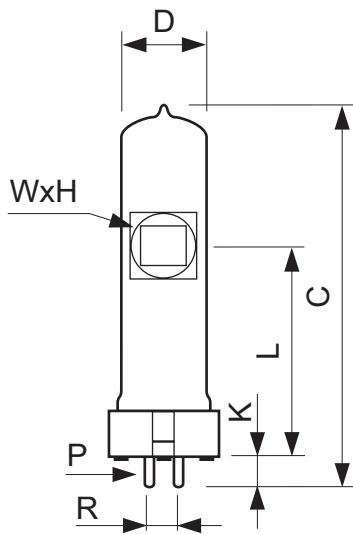
### • Product Data

Order code	923891342928
Full product code	923891342928
Full product name	6984P 1000W GX9.5 230V 1CT
Order product name	6984P 1000W GX9.5 230V 1CT/10
Pieces per pack	1
Packing configuration	10
Packs per outerbox	10
Bar code on pack - EAN1	8711500185297
Bar code on outerbox - EAN3	8711500185303
Logistic code(s) - 12NC	923891342928
Net weight per piece	0.039 kg

**PHILIPS**

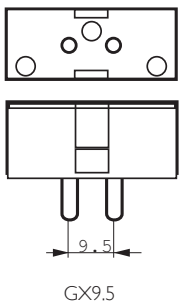
# Halogen High Voltage SE (Film/Studio)

## Dimensional drawing



### 6984P 1000W GX9.5 230V 1CT

Product	C (Max)	D (Max)	H (Norm)	K (Min)	K (Norm)	K (Max)	L (Min)	L (Norm)	L (Max)	P (Min)	P (Norm)	P (Max)	R (Min)	R (Norm)	R (Max)	W (Norm)
6984P 1000W GX9.5 230V	110	23	13	8.4	-	9.2	-	55	-	3.10	-	3.25	-	9.53	-	15.5



© 2014 Koninklijke Philips N.V. (Royal Philips)  
All rights reserved.

Specifications are subject to change without notice. Trademarks are the property of Koninklijke Philips N.V. (Royal Philips) or their respective owners.

[www.philips.com/lighting](http://www.philips.com/lighting)

2014, April 11  
data subject to change