

PAR56 and PAR64



PAR64 250W 28V VNSP

These self-contained spotlights are ideal for intensifying the visual experience in all kinds of clubs, that is because their accurate beam control picks out even the smallest of details even over long distances. This beam control makes the PAR 56 and PAR 64 excellent for long-range light projections. In addition, the universal burning feature provides complete flexibility of luminaires angle and position, while the front glass of the PAR56 provides thermal and physical protection. The result? Complete creative freedom to achieve the desired effect. Immediate re-strike also ensures instant resumption of entertainment after any power interruption.

Product data

• General Characteristics

ANSI Code	-
LIF Code	-
Cap-Base	Multipurpose [AKA:Screw Terminal]
Cap-Base Information	-
Bulb	PAR64 [PAR 64inch/180mm]
Operating Position	any
Main Application	Flood and Ambient Lighting
Average Lifetime	50 hr
Life to 50% failures	50 (min) hr

• Light Technical Characteristics

Beam Description	Very Narrow Spot
Luminous Intensity	500000 (max) cd
Color Temperature	3200 K

• Electrical Characteristics

Lamp Wattage	250 W
Voltage	28 V

• Product Dimensions

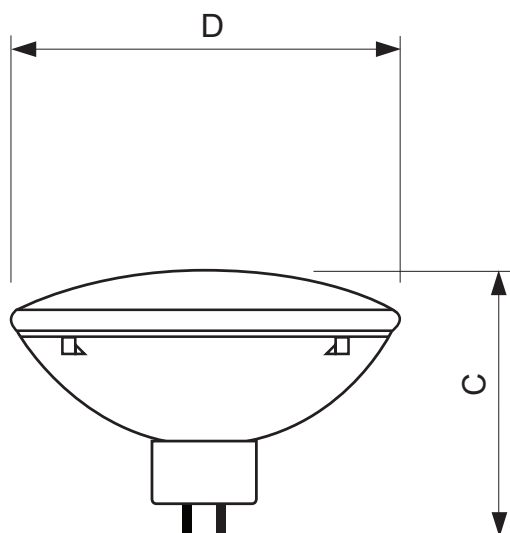
Overall Length C	150 (max) mm
Diameter D	204 (max) mm

• Product Data

Order code	924783221704
Full product code	924783221704
Full product name	PAR64 250W 28V VNSP
Order product name	PAR64 250W 28V VNSP
Pieces per pack	1
Packing configuration	6
Packs per outerbox	6
Bar code on pack - EAN1	8727900812749
Bar code on outerbox - EAN3	8727900812756
Logistic code(s) - 12NC	924783221704
Net weight per piece	0.760 kg

PHILIPS

Dimensional drawing



PAR64 250W 28V VNSP

Product	C (Max)	D (Max)
PAR64 250W 28V VNSP	150	204



© 2014 Koninklijke Philips N.V. (Royal Philips)
All rights reserved.

Specifications are subject to change without notice. Trademarks are the property of Koninklijke Philips N.V. (Royal Philips) or their respective owners.

www.philips.com/lighting

2014, October 31
data subject to change