

PAR56 and PAR64

PAR56 300W 240V WFL



These self-contained spotlights are ideal for intensifying the visual experience in all kinds of clubs, that is because their accurate beam control picks out even the smallest of details even over long distances. This beam control makes the PAR 56 and PAR 64 excellent for long-range light projections. In addition, the universal burning feature provides complete flexibility of luminaires angle and position, while the front glass of the PAR56 provides thermal and physical protection. The result? Complete creative freedom to achieve the desired effect. Immediate re-strike also ensures instant resumption of entertainment after any power interruption.

Product data

• General Characteristics

ANSI Code	-
LIF Code	-
Cap-Base	GX16d
Cap-Base Information	-
Bulb	-
Operating Position	any
Main Application	Flood and Ambient Lighting
Average Lifetime	2000 hr
Life to 50% failures	2000 (min) hr

• Light Technical Characteristics

Beam Description	Wide Flood [Wide Flood]
Beam Angle	40 D
Beam Angle Technical	40 D
Luminous Intensity	10000 (max) cd
Color Temperature	2000 K

• Electrical Characteristics

Lamp Wattage	300 W
Voltage	240 V

• Environmental Characteristics

Energy Efficiency Label (EEL)	-
-------------------------------	---

• Product Dimensions

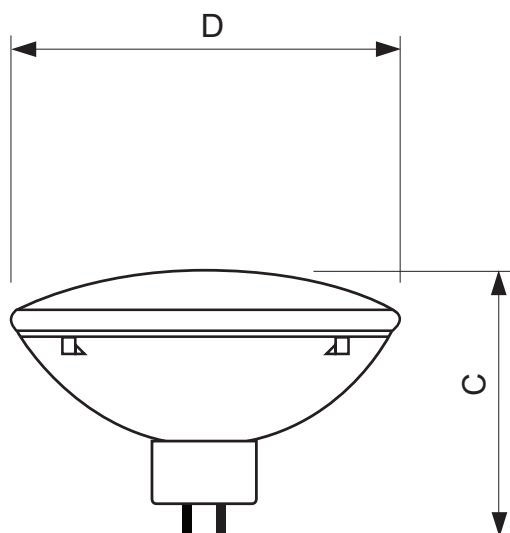
Overall Length C	127 (max) mm
Diameter D	178 (max) mm

• Product Data

Order code	924783745504
Full product code	924783745504
Full product name	PAR56 300W 240V WFL
Order product name	Par56 WFL 300W 240V GX16d. 1CT/6
Pieces per pack	1
Packing configuration	6
Packs per outerbox	6
Bar code on pack - EAN1	8711500441966
Bar code on outerbox - EAN3	8711500441973
Logistic code(s) - 12NC	924783745504
Net weight per piece	0.542 kg

PHILIPS

Dimensional drawing



PAR56 300W 240V WFL

Product	C (Max)	D (Max)
PAR56 300W 240V WFL	127	178



© 2014 Koninklijke Philips N.V. (Royal Philips)
All rights reserved.

Specifications are subject to change without notice. Trademarks are the property of Koninklijke Philips N.V. (Royal Philips) or their respective owners.

www.philips.com/lighting

2014, April 11
data subject to change