



TUV T5

TUV 36T5 SP UNP

TUV T5 lamps are single- or double-ended UVC (germicidal) lamps used in professional water and air disinfection units. The small 16 mm diameter of the lamp allows for a small system design and design flexibility. TUV T5 lamps offer constant UV output over their complete lifetime, for maximum security of disinfection and high system efficacy.

Product data

• General Characteristics

System Description	High Efficiency
Cap-Base	Single Pin
Cap-Base Information	Single Pin
Bulb	T16
Main Application	Disinfection
Useful Life	9000 hr

• Light Technical Characteristics

Color Code	-
Color Designation (text)	-

• Electrical Characteristics

Lamp Wattage	40 W
Lamp Wattage Technical	40 W
Lamp Voltage	94 V
Lamp Current	0.425 A

• UV-related Characteristics

UV-C Radiation	15 W
----------------	------

• Product Dimensions

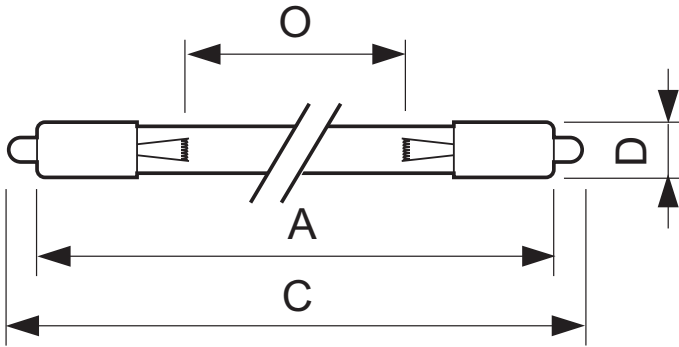
Reference Length A	845.4 (max) mm
Overall Length C	863.9 (max) mm
Diameter D	19 (max) mm
Arc Length O	762 mm

• Product Data

Order code	927970004099
Full product code	927970004099
Full product name	TUV 36T5 SP UNP
Order product name	TUV 36T5 SP UNP/32
Pieces per pack	1
Packing configuration	32
Packs per outerbox	32
Bar code on pack - EAN1	8711500640369
Bar code on outerbox - EAN3	8711500640376
Logistic code(s) - 12NC	927970004099
Net weight per piece	87.000 gr

PHILIPS

Dimensional drawing



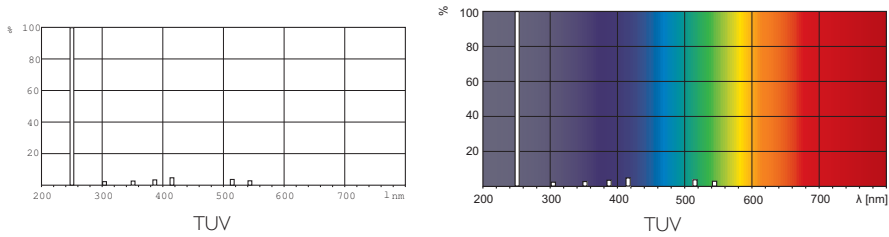
TUV 36T5 SP UNP

Product	A (Min)	A (Norm)	A (Max)	B (Min)	B (Norm)	B (Max)	C (Min)	C (Norm)	C (Max)	D (Max)	O (Norm)
TUV 36T5 HE SP	-	-	845.4	-	-	-	-	-	863.9	18.6	762



Single Pin

Photometric data



© 2014 Koninklijke Philips N.V. (Royal Philips)
All rights reserved.

Specifications are subject to change without notice. Trademarks are the property of Koninklijke Philips N.V. (Royal Philips) or their respective owners.

www.philips.com/lighting

2014, November 10
data subject to change