



# TUV T5

## TUV 64T5 HE SP UNP

TUV T5 lamps are single- or double-ended UVC (germicidal) lamps used in professional water and air disinfection units. The small 16 mm diameter of the lamp allows for a small system design and design flexibility. TUV T5 lamps offer constant UV output over their complete lifetime, for maximum security of disinfection and high system efficacy.

### Product data

#### • General Characteristics

System Description	High Efficiency
Cap-Base	Single Pin
Cap-Base Information	Single Pin
Bulb	T16
Main Application	Disinfection
Useful Life	9000 hr

#### • Light Technical Characteristics

Color Code	-
Color Designation (text)	-

#### • Electrical Characteristics

Lamp Wattage	75 W
Lamp Wattage Technical	75 W
Lamp Voltage	176 V
Lamp Current	0.425 A

#### • UV-related Characteristics

UV-C Radiation	31 W
----------------	------

#### • Product Dimensions

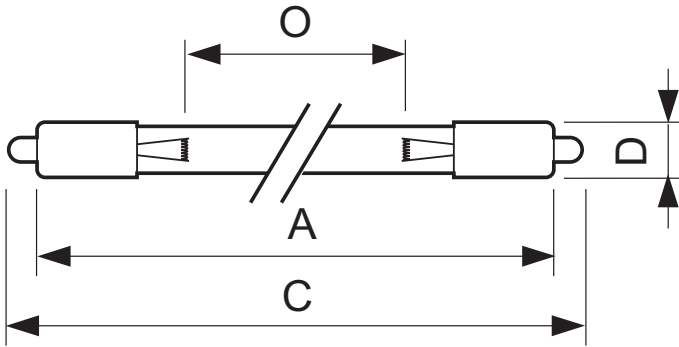
Reference Length A	1556.6 (max) mm
Overall Length C	1575.1 (max) mm
Diameter D	19 (max) mm
Arc Length O	1473 mm

#### • Product Data

Order code	927970504099
Full product code	927970504099
Full product name	TUV 64T5 HE SP UNP
Order product name	TUV 64T5 HE SP UNP
Pieces per pack	1
Packing configuration	32
Packs per outerbox	32
Bar code on pack - EAN1	8711500640796
Bar code on outerbox - EAN3	8711500640802
Logistic code(s) - 12NC	927970504099
Net weight per piece	156.000 gr

# PHILIPS

Dimensional drawing



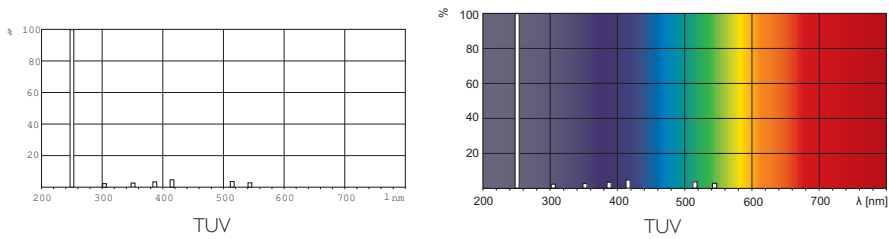
TUV 64T5 HE SP UNP

Product	A (Min)	A (Norm)	A (Max)	B (Min)	B (Norm)	B (Max)	C (Min)	C (Norm)	C (Max)	D (Max)	O (Norm)
TUV 64T5 HE SP	-	-	1556.6	-	-	-	-	-	1575.1	18.6	1473



Single Pin

Photometric data



© 2014 Koninklijke Philips N.V. (Royal Philips)  
All rights reserved.

Specifications are subject to change without notice. Trademarks are the property of Koninklijke Philips N.V. (Royal Philips) or their respective owners.

[www.philips.com/lighting](http://www.philips.com/lighting)

2014, November 10  
data subject to change