

MSD

MSD 150/2 1CT



These single ended, compact lamps enable optimal light collection and accurate beam control, while they also provide true daylight color temperatures – all to create great stage brightness and vivid entertainment. And since they offer long lifetime usage they help minimize the cost of ownership via fewer lamp replacements and fewer maintenance man hour costs.

Product data

• General Characteristics

System Description	-
Cap-Base	G12
Cap-Base Information	-
Operating Position	any
Main Application	Entertainment
Life to 50% failures	3000 hr
EM	

• Light Technical Characteristics

Color Code	2
Color Rendering Index	62 Ra8
Color Temperature	8500 K
Color Temperature Technical	8500 K
Chromaticity Coordinate X	287 -
Chromaticity Coordinate Y	301 -
Luminous Flux Lamp EM	9000 (min), 10500 (nom) Lm
Luminous Efficacy Lamp EM	70 Lm/W

• Electrical Characteristics

Lamp Wattage	150 W
Lamp Wattage Technical	150 W
Lamp Current	1.85 A
Ignition Supply Voltage	198 (min) V

Dimmable No

• Luminaire Design Requirements

Pinch Temperature	350 (max) C
Bulb Temperature	650 (max) C

• Product Dimensions

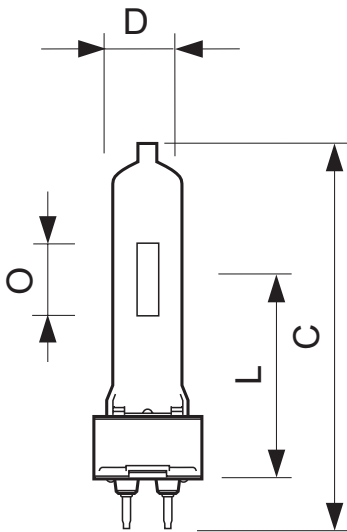
Overall Length C	110 (max) mm
Diameter D	20 (max) mm
Light Center Length L	55 (min), 56 (nom), 57 (max) mm
Arc Length O	5.0 mm

• Product Data

Order code	928172805114
Full product code	928172805114
Full product name	MSD 150/2 1CT
Order product name	MSD 150/2. 1CT/40
Pieces per pack	1
Packing configuration	40
Packs per outerbox	40
Bar code on pack - EAN1	8727900915716
Bar code on outerbox - EAN3	8727900915723
Logistic code(s) - 12NC	928172805114
Net weight per piece	0.056 kg

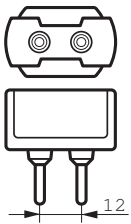
PHILIPS

Dimensional drawing



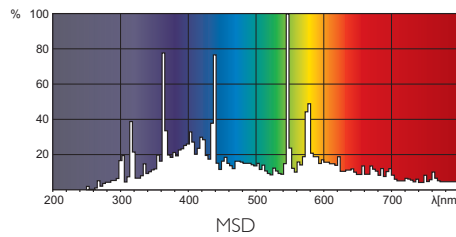
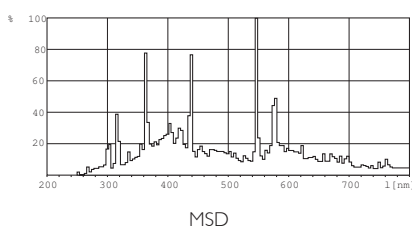
MSD 150/2 1CT

Product	C (Max)	D (Max)	F (Min)	F (Norm)	F (Max)	L (Min)	L (Norm)	L (Max)	O (Norm)	T (Max)
MSD 150/2	110	20	-	-	-	55	56	57	5.0	-



G12

Photometric data



© 2014 Koninklijke Philips N.V. (Royal Philips)
All rights reserved.

Specifications are subject to change without notice. Trademarks are the property of Koninklijke Philips N.V. (Royal Philips) or their respective owners.

www.philips.com/lighting

2014, December 22
data subject to change