

MSD Gold™ MiniFastFit

MSD Gold™ 300/2 MiniFastFit 1CT



The specially designed lamp base of the MSD Gold™ MiniFastFit means that this lamp can be replaced in just seconds, helping to ensure non-stop entertainment. In addition, the innovative gold plated pins ensure excellent current transfer to prolong lamp and lamp holder lifetimes and thereby reduce lamp replacement costs. The lamp's compact size allows for easy handling and compact fixture designs, while the very short arc provides a high perceived brightness and high beam intensity. What's more, the MSD Gold™ MiniFastFit has an extended lifetime, which further reduces lamp replacement costs.

Product data

• General Characteristics

System Description	MiniFastFit
Cap-Base	PGJX28
Cap-Base Information	PGJX28
Operating Position	any
Main Application	Entertainment
Life to 50% failures	2000 hr
EM	

• Light Technical Characteristics

Color Code	2
Color Rendering Index	73 Ra8
Color Temperature	8600 K
Color Temperature Technical	8600 K
Chromaticity Coordinate X	292 -
Chromaticity Coordinate Y	310 -
Luminous Flux Lamp EM	21000 Lm
Luminous Efficacy Lamp EM	70 Lm/W

• Electrical Characteristics

Lamp Wattage	300 W
Lamp Wattage Technical	300 W
Lamp Current	3.8 A
Ignition Supply Voltage	207 (min) V

Dimmable No

• Luminaire Design Requirements

Pinch Temperature	350 (max) C
Bulb Temperature	600 (max) C

• Product Dimensions

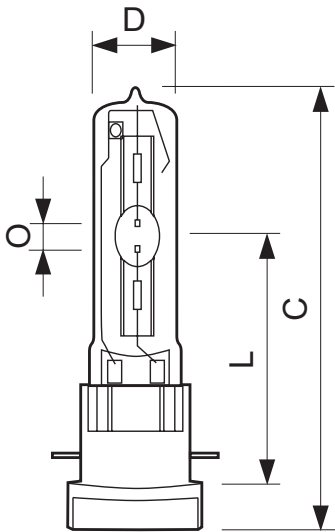
Overall Length C	126 (max) mm
Diameter D	23 (max) mm
Light Center Length L	65.8 (min), 66.8 (nom), 67.8 (max) mm
Arc Length O	5.0 mm

• Product Data

Order code	928199805114
Full product code	928199805114
Full product name	MSD Gold™ 300/2 MiniFastFit 1CT
Order product name	MSD Gold 300/2 MiniFastFit 1CT/16
Pieces per pack	1
Packing configuration	16
Packs per outerbox	16
Bar code on pack - EAN1	8727900912579
Bar code on outerbox - EAN3	8727900912586
Logistic code(s) - 12NC	928199805114
Net weight per piece	0.062 kg

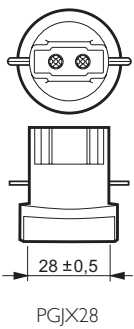
PHILIPS

Dimensional drawing

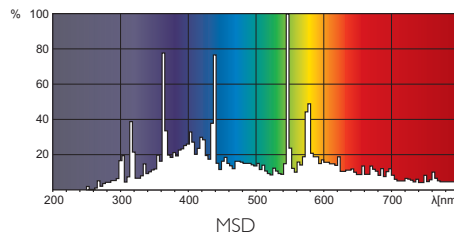
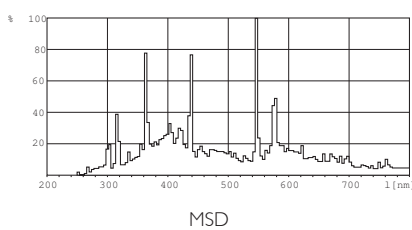


MSD Gold™ 300/2 MiniFastFit 1CT

Product	C (Max)	D (Max)	F (Min)	F (Norm)	F (Max)	L (Min)	L (Norm)	L (Max)	O (Norm)	T (Max)
MSD GOLD 300/2 MiniFastFit	126	23	-	-	-	65.8	66.8	67.8	5.0	-



Photometric data



© 2014 Koninklijke Philips N.V. (Royal Philips)
All rights reserved.

Specifications are subject to change without notice. Trademarks are the property of Koninklijke Philips N.V. (Royal Philips) or their respective owners.

www.philips.com/lighting

2014, December 22
data subject to change