

Halogen reflector

13298 52W GZ4 10V 1CT



Philips' halogen reflector lamps offer the ideal no-fuss solution for a wide variety of medical, projection and scientific illumination systems. Their proven reliability makes them ideal for retrofit installations. The burners are precisely aligned for optimal light performance. Dichroic reflectors ensure heat dissipation towards the back of the optical system, which helps the optical system remain within temperature limits. A special blue-filter version blocking out unwanted light above 700 nm is available for dental curing applications. In addition, you get all the proven advantages of halogen technology such as a CRI of 100 – the same as natural sunlight for the best possible color rendering. Halogen lamps also create a comfortable warm white light, and they maintain their high lumen output with almost no lumen reduction throughout their lifetime.

Product data

• General Characteristics

Philips Code	13298
ANSI Code	-
J Code	-
LIF Code	-
Cap-Base	GZ4
Bulb	R35
Bulb Material	Quartz-UV Open
Reflector Finish	Smooth
Filament Shape	-
Operating Position	any
Main Application	Dental Hardening
Life to 50% failures	25 hr
Non-household	For professional use only-not for domestic use
Symbol	

• Light Technical Characteristics

Color Rendering Index	100 Ra8
Color Temperature	3400 K
Technical Curing Power Area 400-500nm	330 mW/cm ²

• Electrical Characteristics

Lamp Wattage	52 W
Voltage	10 V
Dimmable	Yes

• Luminaire Design Requirements

Pinch Temperature	400 (max) C
-------------------	-------------

Bulb Temperature	900 (max) C
Working Distance WD	26 mm

• Product Dimensions

Overall Length C	37 (max) mm
Diameter D	35 (max) mm
Filament Dimensions (WxH) [mm]	-

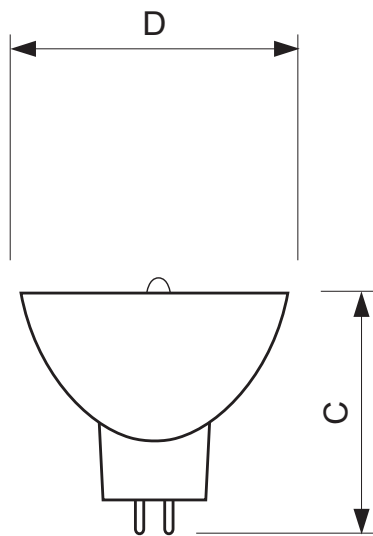
• Product Data

Order code	924008915804
Full product code	924008915804
Full product name	13298 52W GZ4 10V 1CT
Order product name	13298 52W GZ4 10V 1CT/10X5F
Pieces per pack	1
Packing configuration	10X5F
Packs per outerbox	50
Bar code on pack - EAN1	8711500410214
Bar code on intermediate packing - EAN2	8711500420435
Bar code on outerbox - EAN3	8711500420442
Logistic code(s) - 12NC	924008915804
Net weight per piece	0.012 kg

PHILIPS

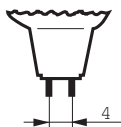
Halogen reflector

Dimensional drawing



13298 52W GZ4 10V 1CT

Product	C (Max)	D (Max)	L (Min)	L (Norm)	L (Max)
13298 52W GZ4 10V	37	35	-	-	-



GZ4



© 2015 Koninklijke Philips N.V. (Royal Philips)
All rights reserved.

Specifications are subject to change without notice. Trademarks are the property of Koninklijke Philips N.V. (Royal Philips) or their respective owners.

www.philips.com/lighting

2015, October 16
data subject to change