



# CorePro LED PLC

## CorePro LED PLC 9W 840 4P G24q-3

The Philips CorePro LED PLC integrates a LED light source into a traditional fluorescent form factor. This product is the ideal solution for uplampping in general lighting applications: it meets basic lighting requirements, offers significant energy savings, and is environmentally friendly.

### Product data

#### • General Information

Cap-Base	G24Q-3 [ G24q-3]
Main Application	Industrial
Nominal Lifetime (Nom)	30000 h
Switching Cycle	50000X
B50L70	30000

#### • Light Technical

Color Code	840 [ CCT of 4000K (841)]
Beam Angle (Nom)	120 °
Luminous Flux (Rated) (Nom)	950 lm
Rated Beam Angle	120 °
Correlated Color Temperature (Nom)	4000 K
Color Consistency	6 steps
Color Rendering Index (Nom)	83
Lmf At End Of Nominal Lifetime (Nom)	70 %

#### • Operating and Electrical

Input Frequency	30000/80000 Hz
Power (Rated) (Nom)	9 W
Starting Time (Max)	0.5 s
Warm Up Time To 60% Light (Nom)	instant full light
Power Factor (Min)	0.8
Voltage (Nom)	20-50 V

#### • Temperature

T-Ambient (Max)	35 °C
T-Ambient (Min)	-20 °C
T-Storage (Max)	65 °C
T-Storage (Min)	-40 °C
T-Case Maximum (Max)	75 °C

#### • Controls and Dimming

Dimmable	No
----------	----

#### • Mechanical and Housing

Product Length	100 mm
----------------	--------

#### • Approval and Application

Energy Saving Product	Yes
Suitable For Accent Lighting	No
Energy Efficiency Label (EEL)	A+
Approval Marks	CE marking RoHS compliance KEMA Keur certificate

#### • Product Data

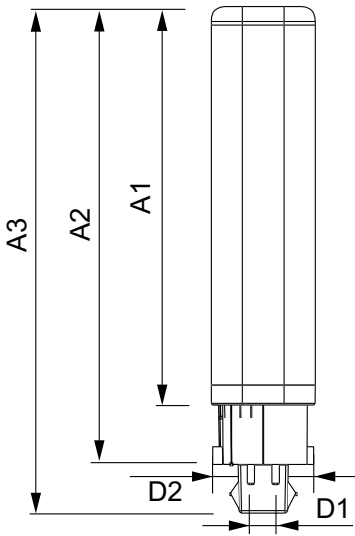
Full product code	871869654117300
Order product name	CorePro LED PLC 9W 840 4P G24q-3
EAN/UPC - Product	8718696541173
Order code	929001200902
Numerator - Quantity Per Pack	1

**PHILIPS**

Numerator - Packs 10  
per outer box

Material Nr. (12NC) 929001200902  
Net Weight (Piece) 0.088 kg

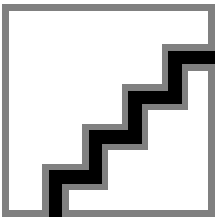
## Dimensional drawing



G24q-3, 4P

## LEDtube PLC 9W G24q-3/840 4P

Product	D1	D2	A1	A2	A3
CorePro LED PLC 9W 840 4P G24q-3	24.3 mm	28.4 mm	147.5 mm	128.3 mm	163.1 mm



© 2016 Koninklijke Philips N.V. (Royal Philips)  
All rights reserved.

Specifications are subject to change without notice. Trademarks are the property of Koninklijke Philips N.V. (Royal Philips) or their respective owners.

[www.philips.com/lighting](http://www.philips.com/lighting)

2016, January 20  
data subject to change