



CorePro LED PLC

CorePro LED PLC 6.5W 840 4P G24q-2

The Philips CorePro LED PLC integrates a LED light source into a traditional fluorescent form factor. This product is the ideal solution for uplamping in general lighting applications: it meets basic lighting requirements, offers significant energy savings, and is environmentally friendly.

Product data

• General Information

Cap-Base	G24Q-2 [G24q-2]
Main Application	Industrial
Nominal Lifetime (Nom)	30000 h
Switching Cycle	50000X
B50L70	30000

• Light Technical

Color Code	840 [CCT of 4000K (841)]
Beam Angle (Nom)	120 °
Luminous Flux (Rated) (Nom)	650 lm
Rated Beam Angle	120 °
Correlated Color Temperature (Nom)	4000 K
Color Consistency	6 steps
Color Rendering Index (Nom)	83
Lmf At End Of Nominal Lifetime (Nom)	70 %

• Operating and Electrical

Input Frequency	30000/80000 Hz
Power (Rated) (Nom)	6.5 W
Starting Time (Max)	0.5 s
Warm Up Time To 60% Light (Nom)	instant full light
Power Factor (Min)	0.8
Voltage (Nom)	20-50 V

• Temperature

T-Ambient (Max)	35 °C
T-Ambient (Min)	-20 °C
T-Storage (Max)	65 °C
T-Storage (Min)	-40 °C
T-Case Maximum (Max)	65 °C

• Controls and Dimming

Dimmable	No
----------	----

• Mechanical and Housing

Product Length	100 mm
----------------	--------

• Approval and Application

Energy Saving Product	Yes
Suitable For Accent Lighting	No
Energy Efficiency Label (EEL)	A+
Approval Marks	CE marking RoHS compliance KEMA Keur certificate

• Product Data

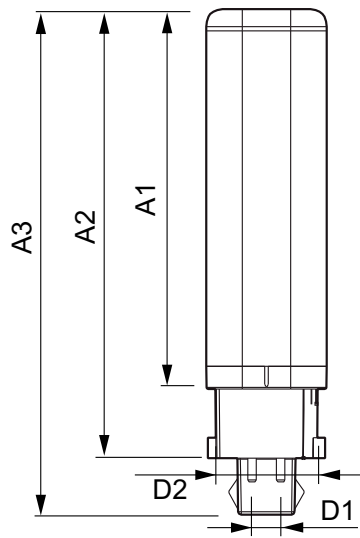
Full product code	871869654121000
Order product name	CorePro LED PLC 6.5W 840 4P G24q-2
EAN/UPC - Product Order code	8718696541210
Numerator - Quantity Per Pack	929001201102
	1

PHILIPS

Numerator - Packs 10
per outer box

Material Nr. (12NC) 929001201102
Net Weight (Piece) 0.078 kg

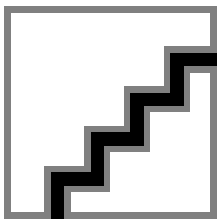
Dimensional drawing



G24q-2, 4P

LEDtube PLC 6.5W G24q-2/840 4P

Product	D1	D2	A1	A2	A3
CorePro LED PLC 6.5W 840 4P G24q-2	24.3 mm	28.4 mm	124.5 mm	105.3 mm	140.1 mm



© 2016 Koninklijke Philips N.V. (Royal Philips)
All rights reserved.

Specifications are subject to change without notice. Trademarks are the property of Koninklijke Philips N.V. (Royal Philips) or their respective owners.

www.philips.com/lighting

2016, January 20
data subject to change