



CorePro LEDspot MV

CorePro LEDspotMV D 4.5-40W 827 R50 36D

CorePro LEDspots are a perfect fit for spot lighting and deliver warm halogen-like light. They are compatible with most existing fixtures with a GU10 or E14 holder and are designed as a retrofit replacement for halogen or incandescent spots. LEDlamps deliver huge energy savings and minimize maintenance cost.

Product data

• General Characteristics

Cap-Base	E14
Bulb	R50 [R 50mm]
Rated Lifetime (hours)	15000 hr
Nominal Lifetime hours	15000 hr

• Light Technical Characteristics

Color Code	827
Color Designation (text)	Warm White
Beam Angle	36 D
Beam Description	36D [Medium beam]
Correlated Color Temperature	2700 K
Luminous Flux	270 Lm
Luminous Intensity	650 cd
Color rendering index	80
Luminous Efficacy Lamp	60.00 Lm/W
Color Temperature	2700 K [CCT 2700K]
Rated Luminous Flux	270 Lm
LLMF - end nominal lifetime	70 %
Colour consistency	6 steps
Rated Beam Angle	36 D
Luminous flux in 90° cone	255 Lm

• Electrical Characteristics

Wattage	4.5 W
Voltage	220-240 V
Line Frequency	50-60 Hz

Power Factor	0.7 -
Lamp Current mA	26 mA
Dimmable	Yes
Wattage Equivalent	40 W
Rated Wattage	4.5 W
Starting Time	0.5 (max) s
Warm-up Time to 60% Light Outp	instant full light
Suitable for accent lighting	Yes

• Temperature Characteristics

T-case maximum	75 C
----------------	------

• Environmental characteristics

Energy Efficiency Label (EEL)	A+
Energy consumption kWh/1000h	5 kWh

• Measuring Conditions

Switching cycle	50000X
-----------------	--------

• Product Dimensions

Overall Length C	85 mm
Diameter D	50 mm

• Product Data

Order code	929000279302
Full product code	929000279302
Full product name	CorePro LEDspotMV D 4.5-40W 827 R50 36D



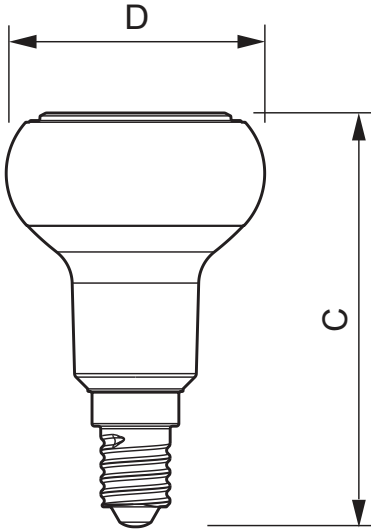
PHILIPS

CorePro LEDspot MV

Order product name CorePro LEDspotMV D 4.5-40W 827
R50 36D
Pieces per pack 1
Packing configuration 10
Packs per outerbox 10
Bar code on pack -
EAN1 8718291770176

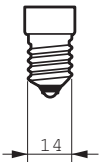
Bar code on
outerbox - EAN3 8718291770183
Logistic code(s) -
12NC 929000279302
Net weight per piece 0.032 kg

Dimensional drawing



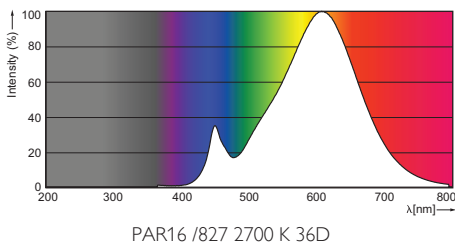
CorePro LEDspotMV D 4.5-40W 827 R50 36D

Product	C (Norm)	C1 (Max)	D (Norm)	D1 (Norm)
LED D 4.5-40W 827 R50 36D	85	-	50	-



E14

Photometric data



© 2015 Koninklijke Philips N.V. (Royal Philips)
All rights reserved.

Specifications are subject to change without notice. Trademarks are the property of Koninklijke Philips N.V. (Royal Philips) or their respective owners.

www.philips.com/lighting

2015, August 29
data subject to change