



CorePro LEDluster

Corepro Lustre ND 4-25W E14 827 P45 CL

The frosted CorePro LEDluster is designed for retrofit replacement of incandescent lamps. It is compatible with fixtures with an E27 or E14 holder. LEDlamps deliver huge energy savings and minimize maintenance cost.

PHILIPS

Product data

• General Information

Cap-Base	E14 [E14]
Nominal Lifetime (Nom)	15000 h
Switching Cycle	50000X
Technical Type	4-25W

• Light Technical

Color Code	827 [CCT of 2700K]
Luminous Flux (Nom)	250 lm
Luminous Flux (Rated) (Nom)	250 lm
Color Designation	Warm White (WW)
Correlated Color Temperature (Nom)	2700 K
Luminous Efficacy (rated) (Nom)	65 lm/W
Color Consistency	6 steps
Color Rendering Index (Nom)	80
Lmf At End Of Nominal Lifetime (Nom)	70 %

• Operating and Electrical

Input Frequency	50-60 Hz
Power (Rated) (Nom)	4 W
Lamp Current (Nom)	35 mA
Wattage Equivalent	25 W
Starting Time (Max)	0.5 s
Warm Up Time To 60% Light (Nom)	instant full light

Power Factor (Nom)	0.4
Voltage (Nom)	220-240 V

• Temperature

T-Case Maximum (Nom)	85 °C
----------------------	-------

• Controls and Dimming

Dimmable	No
----------	----

• Mechanical and Housing

Bulb Finish	Clear
-------------	-------

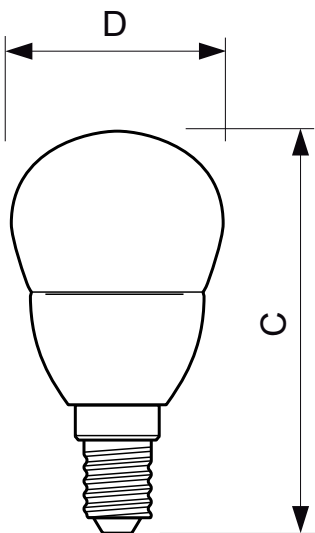
• Approval and Application

Suitable For Accent Lighting	No
Energy Efficiency Label (EEL)	A+

• Product Data

Full product code	871869650759900
Order product name	Corepro Lustre ND 4-25W E14 827 P45 CL
EAN/UPC - Product	8718696507599
Order code	929001142302
Numerator - Quantity Per Pack	1
Numerator - Packs per outer box	10
Material Nr. (12NC)	929001142302
Net Weight (Piece)	0.040 kg

Dimensional drawing

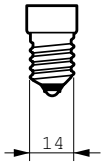


E14 P45

LED ND 4-25W E14 827 220-240V P45 CL

Product	D	C
Corepro Lustre ND 4-25W E14 827 P45 CL	45 mm	88 mm

Dimensional drawing



© 2015 Koninklijke Philips N.V. (Royal Philips)
All rights reserved.

Specifications are subject to change without notice. Trademarks are the property of Koninklijke Philips N.V. (Royal Philips) or their respective owners.

www.philips.com/lighting

2015, December 28
data subject to change