



# CorePro LEDspot LV

CorePro LEDspotLV 5.5-35W 827 MR16 36D

CorePro LEDspots are a perfect fit for spot lighting and deliver warm halogen-like light. They are compatible with most existing fixtures with MR16 GU5.3 holders and are designed as a retrofit replacement for halogen or incandescent spots. LEDlamps deliver huge energy savings and minimize maintenance cost.

## Product data

### • General Characteristics

Cap-Base	GU5.3
Bulb	MR16 [MR 16inch/50mm]
Rated Lifetime (hours)	15000 hr
Nominal Lifetime hours	15000 hr

### • Light Technical Characteristics

Color Code	827
Color Designation (text)	Warm White
Beam Angle	36 D
Beam Description	36D [Medium beam]
Correlated Color Temperature	2700 K
Luminous Flux	415 Lm
Luminous Intensity	1000 cd
Color rendering index	80
Luminous Efficacy Lamp	71.00 Lm/W
Color Temperature	2700 K [CCT 2700K]
Rated Luminous Flux	415 Lm
LLMF - end nominal lifetime	70 %
Colour consistency	6 steps
Rated Beam Angle	36 D
Luminous flux in 90° cone	390 Lm

### • Electrical Characteristics

Wattage	5.5 W
Wattage Technical	5.5 W
Voltage	12 V

Power Factor	0.7 -
Lamp Current mA	640 mA
Dimmable	No
Wattage Equivalent	35 W
Rated Wattage	5.5 W
Starting Time	0.5 (max) s
Warm-up Time to 60% Light Outp	instant full light
Suitable for accent lighting	Yes

### • Temperature Characteristics

T-case maximum	65 C
----------------	------

### • Environmental characteristics

Energy Efficiency Label (EEL)	A+
Energy consumption kWh/1000h	6 kWh

### • Measuring Conditions

Switching cycle	50000X
-----------------	--------

### • Product Dimensions

Overall Length C	49 mm
Diameter D	50 mm

### • Product Data

Order code	929001146232
Full product code	929001146232
Full product name	CorePro LEDspotLV 5.5-35W 827 MR16 36D



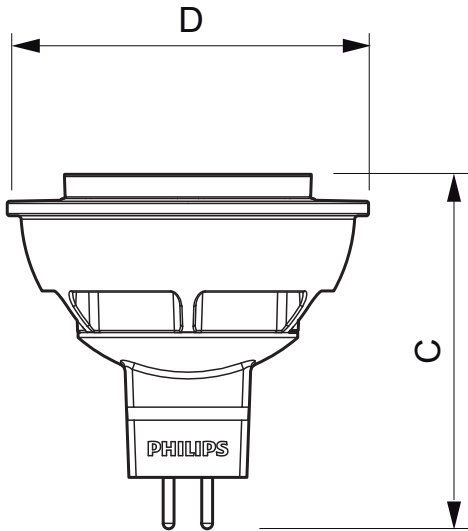
# PHILIPS

# CorePro LEDspot LV

Order product name CorePro LEDspotLV 5.5-35W 827 MR16 36D  
Pieces per pack 1  
Packing configuration 10  
Packs per outerbox 10  
Bar code on pack - EAN1 8718696475683

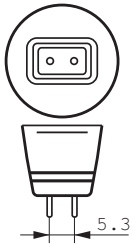
Bar code on outerbox - EAN3 8718696475690  
Logistic code(s) - 12NC 929001146232  
Net weight per piece 0.035 kg

## Dimensional drawing



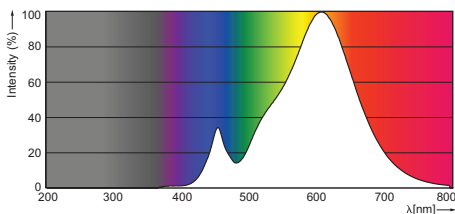
## CorePro LEDspotLV 5.5-35W 827 MR16 36D

Product	C (Norm)	D (Norm)
LED 5.5-35W GU5.3 827 MR16 36D	49	50



GU5.3

## Photometric data



5.5-35W GU5.3 827 MR16 36D



© 2015 Koninklijke Philips N.V. (Royal Philips)  
All rights reserved.

Specifications are subject to change without notice. Trademarks are the property of Koninklijke Philips N.V. (Royal Philips) or their respective owners.

[www.philips.com/lighting](http://www.philips.com/lighting)

2015, August 29  
data subject to change