



Halogen Classic G95

Halogen Classic 42W E27 230V G95 CL 1CT/6 SRP

Philips Halogen Classic light bulbs offer the classical shapes you are used to. The new classic light bulb gives high quality light, is dimmable and starts immediately.

Product data

• General Information

Cap-Base	E27 [E27]
Operating Position	UNIVERSAL [Any or Universal (U)]
Nominal Lifetime (Nom)	2000 h
Switching Cycle	8000X

• Light Technical

Luminous Flux (Nom)	630 lm
Luminous Flux (Rated) (Nom)	630 lm
Correlated Color Temperature (Nom)	2800 K
Luminous Efficacy (rated) (Nom)	15.0 lm/W
Color Rendering Index (Nom)	100
Lmf At End Of Nominal Lifetime (Min)	80 %

• Operating and Electrical

Power (Rated) (Nom)	42.0 W
Lamp Current (Nom)	0.18 A
Wattage Equivalent	55 W
Starting Time (Nom)	0.0 s
Warm Up Time To 60% Light (Nom)	instant full light
Power Factor (Nom)	1
Voltage (Nom)	230 V

• Controls and Dimming

Dimmable	Yes
----------	-----

• Mechanical and Housing

Bulb Finish	Clear (CL)
-------------	------------

• Approval and Application

Energy Efficiency Label (EEL)	D
Energy Consumption kWh/1000 h	42 kWh

• Luminaire Design Requirements

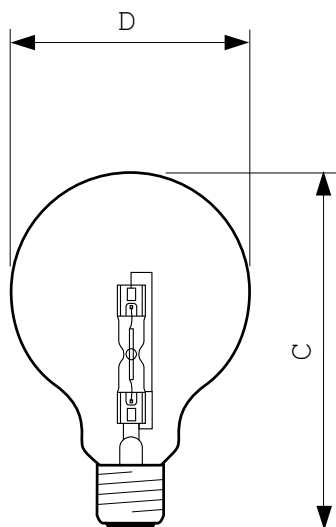
Cap-Base Temperature (Max)	130 °C
----------------------------	--------

• Product Data

Full product code	872790092100701
Order product name	Halogen Classic 42W E27 230V G95 CL 1CT/6 SRP
EAN/UPC - Product	8727900921007
Order code	925700044204
Numerator - Quantity Per Pack	1
Numerator - Packs per outer box	6
Material Nr. (12NC)	925700044204
Net Weight (Piece)	54.000 g

PHILIPS

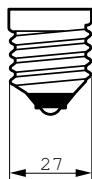
Dimensional drawing



E27, G95

HalClass 42W E27 230V G95 CL

Product	D	C
Halogen Classic 42W E27 230V G95 CL 1CT/6 SRP	96 mm	147 mm



© 2016 Philips Lighting Holding B.V.
All rights reserved.

Specifications are subject to change without notice. Trademarks are the property of Koninklijke Philips N.V. (Royal Philips) or their respective owners.

www.philips.com/lighting

2016, February 1
data subject to change