



MASTER LEDspot LV

MAS LEDspotLV D 7-40W 827 MR16 24D

Delivering a warm, halogen-like accent beam, MASTER LEDspot LV is an ideal retrofit solution for spot and general lighting applications in the hospitality industry. It is particularly suited to public areas such as receptions, lobbies, corridors, stairwells and washrooms, where the light is on all the time. The robustly designed MASTER LEDspot offers a choice of beam angles for a clearly defined beam spread. There is no UV or IR in the beam, making it suitable for illuminating heat-sensitive objects (food, organic materials, paintings, etc.). The patented intelligent driver enables broad compatibility with existing electromagnetic and electronic halogen transformers. The dimmable versions drive further efficiencies, while helping to create the desired atmosphere.

Product data

• General Information

Cap-Base	GU5.3 [GU5.3]
Nominal Lifetime (Nom)	40000 h
Switching Cycle Technical Type	50000X 7-40W

• Light Technical

Color Code	827 [CCT of 2700K]
Beam Angle (Nom)	24 °
Light Distribution	24D [Medium beam]
Luminous Flux (Nom)	500 lm
Luminous Flux (Rated) (Nom)	500 lm
Luminous Intensity (Nom)	2400 cd
Color Designation	Warm White (WW)
Rated Beam Angle	24 °
Correlated Color Temperature (Nom)	2700 K
Luminous Efficacy (rated) (Nom)	71.43 lm/W
Color Consistency	6 steps
Color Rendering Index (Nom)	80
LLMF At End Of Nominal Lifetime (Nom)	70 %
Luminous Flux In 90° Cone (Rated)	470 lm

• Operating and Electrical

Input Frequency	50-60 Hz
Power (Rated) (Nom)	7.0 W
Lamp Current (Nom)	715 mA
Wattage Equivalent	40 W
Starting Time (Max)	0.10000000 s
Warm Up Time To 60% Light (Nom)	instant full light
Power Factor (Nom)	0.8
Voltage (Nom)	12 V

• Temperature

T-Case Maximum (Nom)	110 °C
----------------------	--------

• Controls and Dimming

Dimmable	Yes
----------	-----

• Approval and Application

Suitable For Accent Lighting	Yes
Energy Efficiency Label (EEL)	A+
Energy Consumption kWh/1000 h	8 kWh

PHILIPS

MASTER LEDspot LV

Product Data

Full product code 871829174135000
Order product name MAS LEDspotLV D 7-40W 827 MR16 24D
EAN/UPC - Product 8718291741350
Order code 929000263002

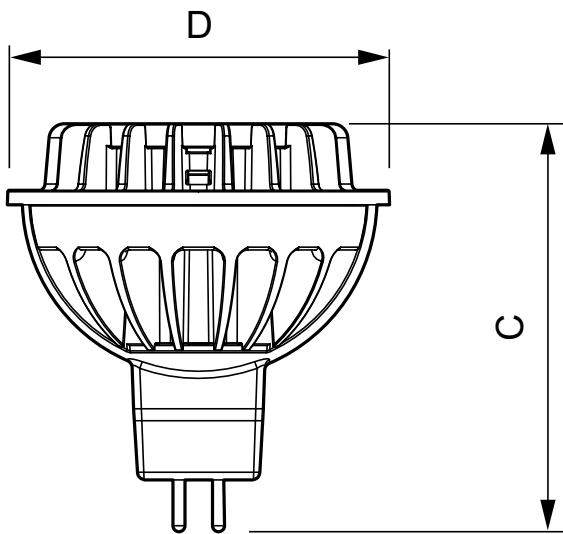
Numerator - Quantity Per Pack 1
Numerator - Packs per outer box 10
Material Nr. (12NC) 929000263002
Net Weight (Piece) 0.060 kg

Warnings and Safety

- Operating temperature range is between -20° C and 45° C ambient

- Only to apply in dry or damp locations and most of open fixtures with lamp-holders that offer sufficient space (10 mm free air space)
- Not intended for use with emergency light fixtures or exit lights

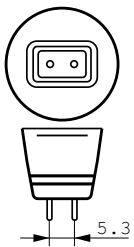
Dimensional drawing



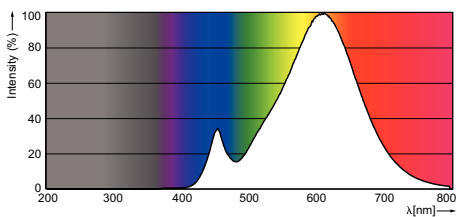
6.5-35W, 7-35W GU5.3 MR16

LED D 7-40W 827 MR16 24D

Product	D	C
MAS LEDspotLV D 7-40W 827 MR16 24D	50 mm	54 mm



Photometric data





© 2016 Philips Lighting Holding B.V.
All rights reserved.

Specifications are subject to change without notice. Trademarks are the property of Koninklijke Philips N.V. (Royal Philips) or their respective owners.

www.philips.com/lighting

2016, March 18
data subject to change