



MASTER LEDlamps DimTone

MAS LEDspotMV DimTone 4-35W GU10 25D

MASTER LEDlamps DimTone deliver the warm, defined beam and the shift to warmer color during dimming that is provided by halogen and GLS, while offering the energy savings, minimized maintenance costs and extended lifetime of LED lamps. Enabling maximum warmth and ambiance at lower dimming levels, it is ideal for hospitality applications requiring heightened customer comfort, such as restaurants, bars, washrooms and lobbies. The DimTone feature means light color shifts from regular warm white at maximum light output to warmer white at lowest light under full dimming, same as halogen and GLS. Further efficiency and energy savings are offered under such dimmed conditions. These DimTone MVspots fit most existing fixtures with a GU10 socket, and the innovative driver design ensures compatibility with a broad range of dimmer types. The DimTone bulbs are designed for retrofit replacement of dimmable incandescent bulbs.

Product data

• General Information

Cap-Base	GU10 [GU10]
Nominal Lifetime (Nom)	50000 h
Switching Cycle	50000X
Technical Type	4-35W

• Light Technical

Colour Code	822-827 [tunable warm white]
Beam Angle (Nom)	25 °
Light Distribution	25D [Medium beam]
Luminous Flux (Nom)	305 lm
Luminous Flux (Rated) (Nom)	305 lm
Luminous Intensity (Nom)	1000 cd
Colour Designation	Warm White (WW)
Rated Beam Angle	25 °
Colour Temperature, horizontal (Nom)	2200-2700 K
Luminous Efficacy (rated) (Nom)	70.00 lm/W

Color Consistency	6 steps
Colour Rendering Index horiz (Nom)	80
LLMF At End Of Nominal Lifetime (Nom)	70 %
Luminous Flux In 90° Cone (Rated)	280 lm

• Operating and Electrical

Input Frequency	50 to 60 Hz
Power (Rated) (Nom)	4 W
Lamp Current (Nom)	22 mA
Wattage Equivalent	35 W
Starting Time (Max)	0.5 s
Warm Up Time To 60% Light (Nom)	instant full light
Power Factor (Nom)	0.5
Voltage (Nom)	220-240 V

PHILIPS

MASTER LEDlamps DimTone

• Temperature

T-Case Maximum (Nom) 70 °C

• Controls and Dimming

Dimmable Yes

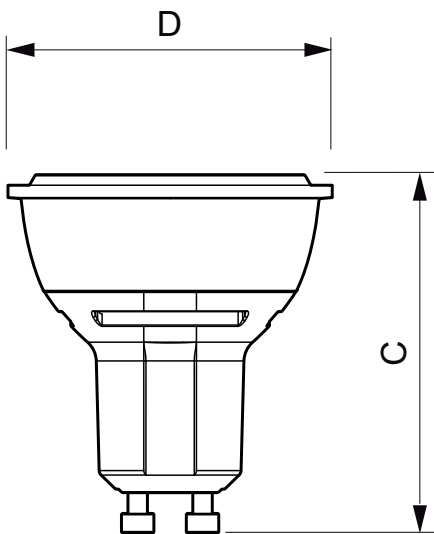
• Approval and Application

Suitable For Accent Lighting Yes
Energy Efficiency Label A+
Energy Consumption kWh/1000 h 4 kWh

• Product Data

Full product code 871869643828200
Order product name MAS LEDspotMV DimTone 4-35W GU10 25D
EAN/UPC - Product 8718696438282
Order code 43828200
Numerator - 1
Quantity Per Pack per outer box 10
Material Nr. (12NC) 929001130602
Net Weight (Piece) 0.036 kg

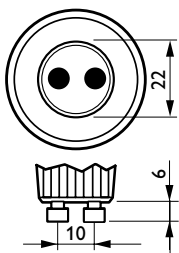
Dimensional drawing



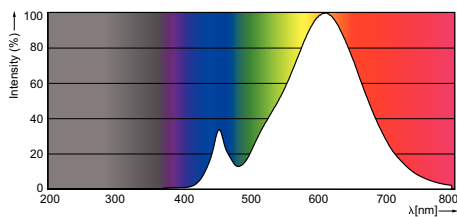
3.5-35W, 4-35W, 4.3-50W, 4.5-50W, 5.4-50W, 5.5-50W, 6-50W GU10

LED DimTone 4-35W GU10 25D

Product	D	C
MAS LEDspotMV DimTone 4-35W GU10 25D	50 mm	55 mm



Photometric data





© 2015 Philips Lighting Holding B.V.
All rights reserved.

Specifications are subject to change without notice. Trademarks are the property of Koninklijke Philips N.V. (Royal Philips) or their respective owners.

www.philips.com/lighting

2015, December 28
data subject to change