



MASTER LEDspot MV

MASTER LEDspotMV D 4-35W GU10 940 25D

Delivering a warm, halogen-like accent beam, MASTER LEDspot MV is a perfect fit for spot lighting (track, corridors, lift lobbies, display cases and cabinets) in the hospitality industry. It is particularly suitable to public areas where the light is on 24/7, such as lobbies, corridors, stairwells. MASTER LEDspot MV delivers huge energy savings and minimizes maintenance cost without any compromise on brightness, enabling hospitality owners to achieve a return on their investment within one year. These LEDspots are compatible with most existing fixtures with a GU10 holder and designed as a retrofit replacement for halogen or incandescent spots. The dimmable versions drive further efficiencies, while helping to create the desired atmosphere.

Product data

• General Characteristics

Cap-Base	GU10
Rated Lifetime (hours)	50000 hr
Nominal Lifetime hours	50000 hr

• Light Technical Characteristics

Color Code	940
Color Designation (text)	White
Beam Angle	25 D
Beam Description	25D [Medium beam]
Correlated Color Temperature	4000 K
Luminous Flux	307 Lm
Luminous Intensity	1040 cd
Color rendering index	90
Luminous Efficacy	70.50 Lm/W
Lamp	
Color Temperature	4000 K [CCT 4000K]
Rated Luminous Flux	307 Lm
LLMF - end nominal lifetime	70 %
Colour consistency	6 steps
Rated Beam Angle	25 D
Luminous flux in 90° cone	282 Lm

• Electrical Characteristics

Wattage	4 W
Voltage	220-240 V
Line Frequency	50-60 Hz
Power Factor	0.5 -

Lamp Current mA	21 mA
Dimmable	Yes
Wattage Equivalent	35 W
Rated Wattage	4.0 W
Starting Time	0.5 (max) s
Warm-up Time to 60% Light Outp	instant full light
Suitable for accent lighting	Yes

• Temperature Characteristics

T-case maximum	84 C
----------------	------

• Environmental characteristics

Energy Efficiency Label (EEL)	A+
Energy consumption kWh/1000h	4 kWh

• Measuring Conditions

Switching cycle	50000X
-----------------	--------

• Product Dimensions

Overall Length C	57 mm
Diameter D	50 mm

• Product Data

Order code	929001139602
Full product code	929001139602
Full product name	MASTER LEDspotMV D 4-35W GU10 940 25D



PHILIPS

MASTER LEDspot MV

Order product name MAS LEDspotMV D 4-35W GU10
940 25D
Pieces per pack 1
Packing configuration 10
Packs per outerbox 10
Bar code on pack - EAN1 8718696457351

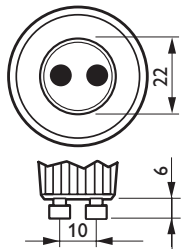
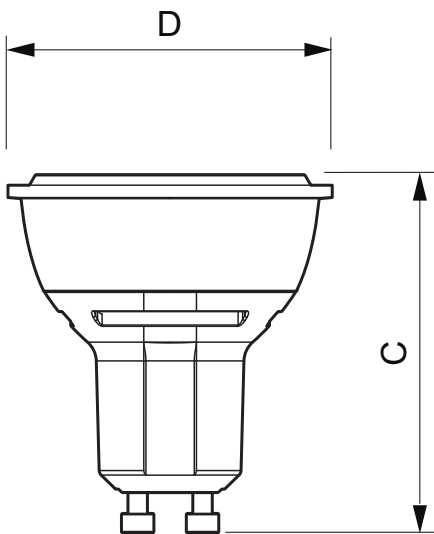
Bar code on outerbox - EAN3 8718696457368
Logistic code(s) - 12NC 929001139602
Net weight per piece 0.036 kg

Warnings and Safety

- Operating temperature range is between -20° C and 45° C ambient

- Only to apply in dry or damp locations and most of open fixtures with lamp-holders that offer sufficient space (10 mm free air space)
- Not intended for use with emergency light fixtures or exit lights

Dimensional drawing

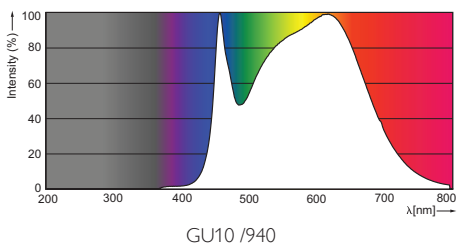


GU10

MASTER LEDspotMV D 4-35W GU10 940 25D

Product	C (Norm)	C1 (Max)	D (Norm)	D1 (Norm)
LED D 4-35W GU10 940 25D	57	-	50	-

Photometric data





© 2015 Koninklijke Philips N.V. (Royal Philips)
All rights reserved.

Specifications are subject to change without notice. Trademarks are the property of Koninklijke Philips N.V. (Royal Philips) or their respective owners.

www.philips.com/lighting

2015, July 27
data subject to change