



MASTERColour CDM-R Elite

MASTERColour CDM-R Elite 70W/942 E27 PAR30L 30D

Compact, very high-efficiency, long-life Ceramic Metal Halide discharge reflector lamp producing crisp white sparkling light with high color rendering

Product data

• General Information

Cap-Base	E27
Operating Position	UNIVERSAL [Any or Universal (U)]
Life To 5% Failures (Nom)	9000 h
Life To 10% Failures (Nom)	10000 h
Life To 20% Failures (Nom)	12000 h
Life To 50% Failures (Nom)	15000 h
Switching Cycle	1350X

• Light Technical

Color Code	942 [CCT of 4200K]
Beam Angle (Nom)	30 °
Beam Angle Technical (Nom)	30 °
Beam Angle Technical (Max)	37 °
Beam Angle Technical (Min)	23 °
Luminous Flux (Rated) (Nom)	5200 lm
Luminous Intensity (Min)	10125 cd
Luminous Intensity (Nom)	13500 cd
Beam Description	Flood
Color Designation	Cool White (CW)
Lumen Maintenance 12000 h (Nom)	77 %
Lumen Maintenance 2000 h (Nom)	90 %
Lumen Maintenance 4000 h (Nom)	84 %

Design Mean Lumens	4200 lm
Chromaticity Coordinate X (Nom)	0.372
Chromaticity Coordinate Y (Nom)	0.369
Correlated Color Temperature (Nom)	4200 K
Luminous Efficacy (rated) (Nom)	71 lm/W
Color Rendering Index (Min)	89
Color Rendering Index (Nom)	92
LLMF At End Of Nominal Lifetime (Nom)	75 %
Luminous Flux In 90° Cone (Rated)	4500 lm

• Operating and Electrical

Power (Rated) (Nom)	73 W
Ignition Supply Voltage (Min)	198 V
Re-Ignition Time (Min) (Max)	15 min
Warm Up Time To 60% Light (Nom)	120 s
Ignition Time (Max)	30 s
Voltage (Max)	98 V
Voltage (Min)	82 V
Voltage (Nom)	90 V

• Controls and Dimming

Dimmable	No
----------	----

PHILIPS

MASTERColour CDM-R Elite

Run-Up Time 90% (Max) 3 min

Cap-Base Temperature (Max) 200 °C

• Mechanical and Housing

Bulb Finish Clear

• Approval and Application

Energy Efficiency Label (EEL) A
Mercury (Hg) Content (Nom) 6.5 mg
Energy Consumption kWh/1000 h 80 kWh

• Luminaire Design Requirements

Bulb Temperature (Max) 300 °C

• Product Data

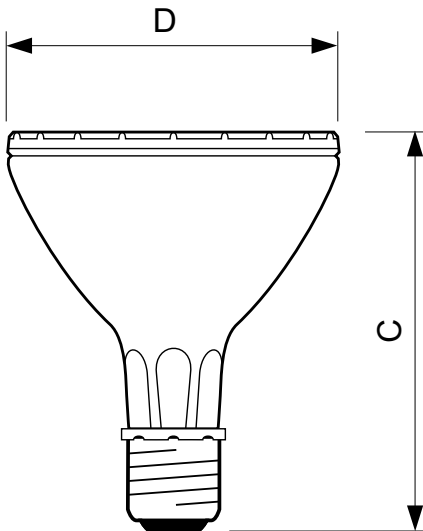
Full product code 871829165167300
Order product name MASTERColour CDM-R Elite 70W/942 E27 PAR30L 30D
EAN/UPC - Product 8718291651673
Order code 928053000630
Numerator - Quantity Per Pack 1
Numerator - Packs per outer box 6
Material Nr. (12NC) 928053000630
Net Weight (Piece) 0.225 kg

Warnings and Safety

- Use only with electronic control gear
- Control gear must include end-of-life protection (IEC61167, IEC 62035)

- A lamp breaking is extremely unlikely to have any impact on your health. If a lamp breaks, ventilate the room for 30 minutes and remove the parts, preferably with gloves. Put them in a sealed plastic bag and take it to your local waste facilities for recycling. Do not use a vacuum cleaner.

Dimensional drawing



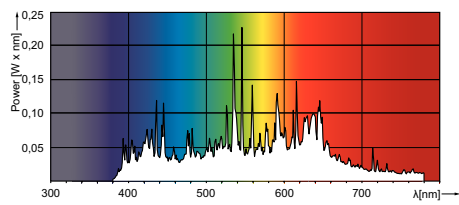
CDM-R Elite /930, /942 E27 PAR30L



CDM-R Elite 70W/942 E27 PAR30L 30D

Product	D	C
MASTERColour CDM-R Elite 70W/942 E27 PAR30L 30D	97 mm	123 mm

Photometric data



© 2015 Philips Lighting Holding B.V.
All rights reserved.

Specifications are subject to change without notice. Trademarks are the property of Koninklijke Philips N.V. (Royal Philips) or their respective owners.

www.philips.com/lighting

2015, December 28
data subject to change