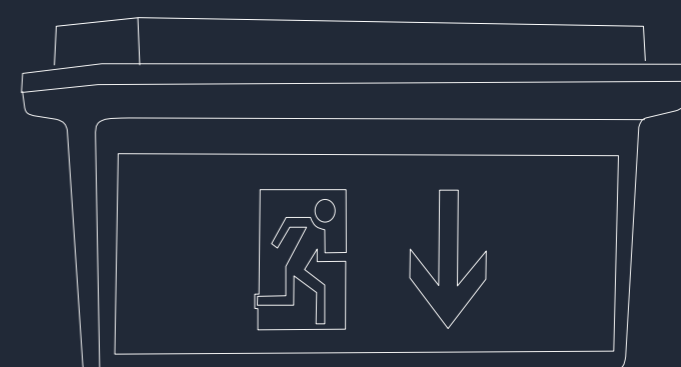
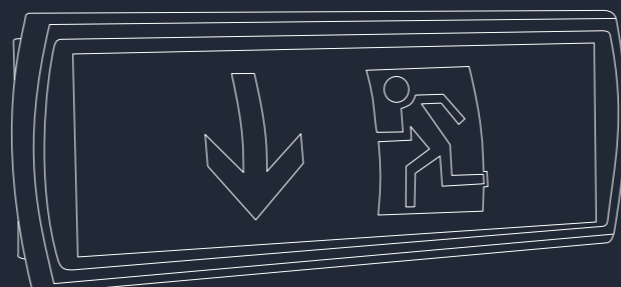
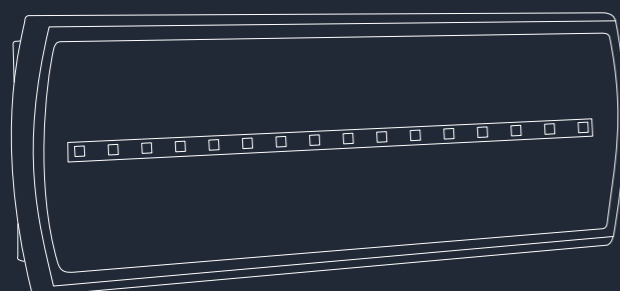
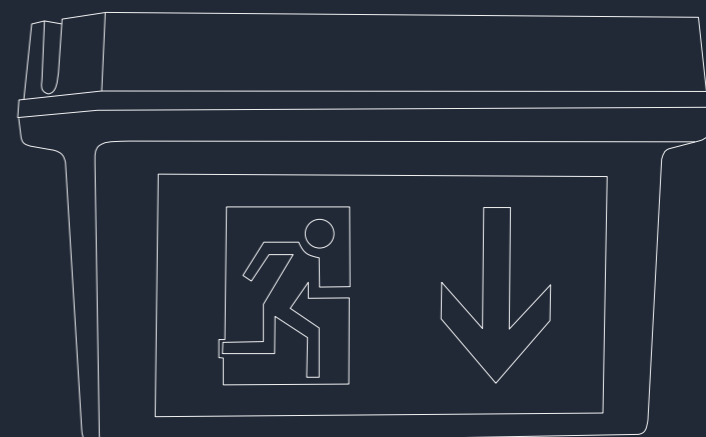
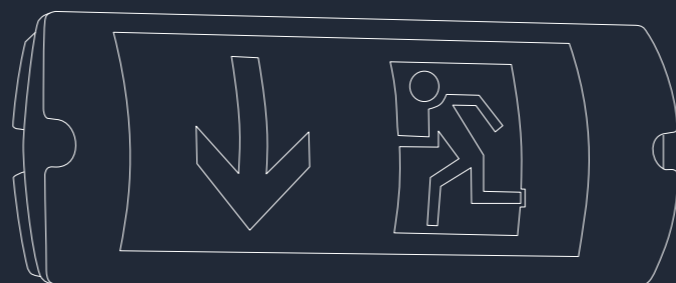
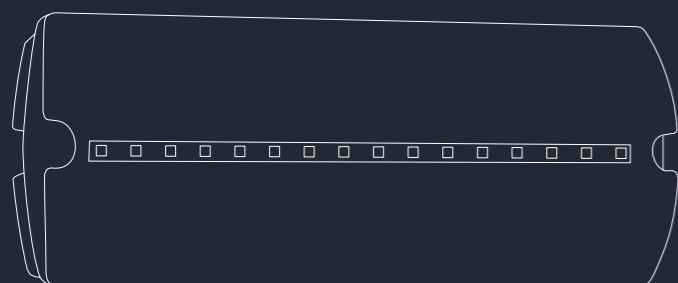
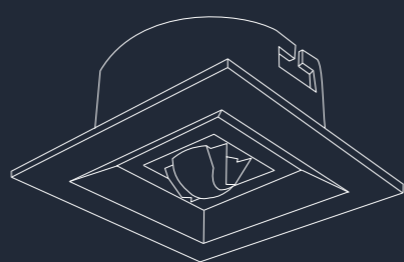
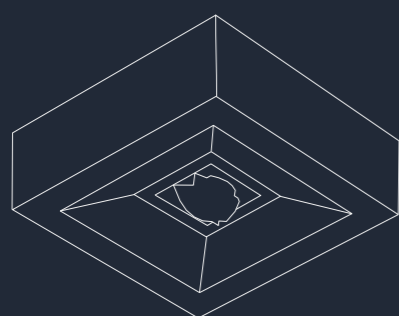


awex

EMERGENCY LIGHTING

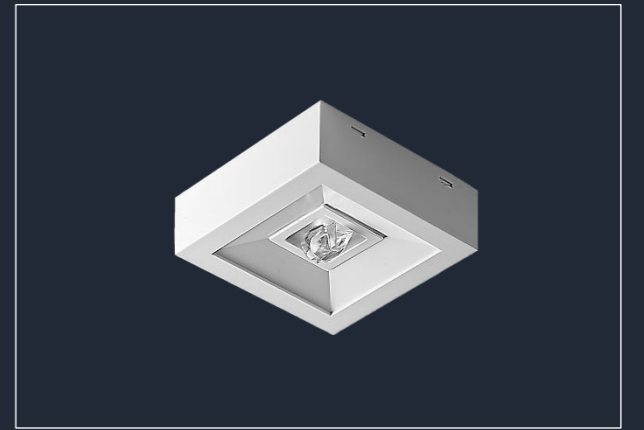
CATALOGUE | LED-ECO

VER 1.0



LIST OF CONTENTS:

LOVATO N ECO.....1



LOVATO P ECO.....2



HELIOS LED ECO.....3



HELIOS DS LED ECO.....4



TIGER LED ECO.....5



TIGER DS LED ECO.....6



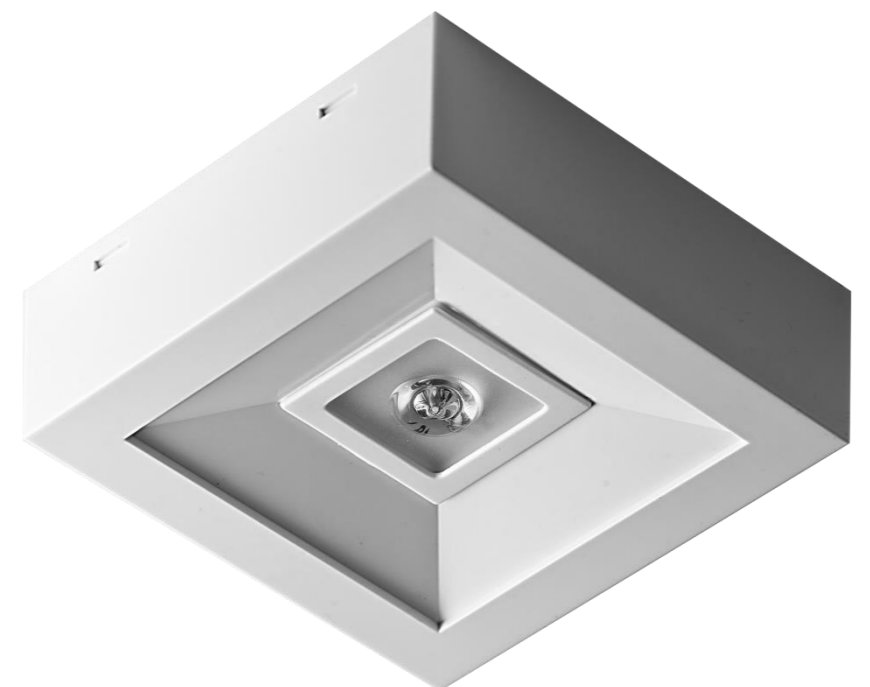
TIGER DSR LED ECO.....7



LOVATO N ECO

TECHNICAL SPECIFICATION:

MATERIALS:	white polycarbonate body
MOUNTING:	surface on the ceiling
POWER SUPPLY:	230 VAC / 50 Hz
LIGHT SOURCE:	1W power LED with optic O - 118lm with optic C - 114lm
CHARGING:	24h
BATTERIES:	1h or 3h; Ni-Cd maintained-free HT batteries
INSULATION CL:	II
PROTECTION:	IP41
AMBIENT TEMP:	t _a : 0°C - 40°C
CONNECTORS:	3 x 2.5mm ²
ADDITIONAL INFO:	network power supply and battery charge LED indicator electronic protection against complete battery discharge compatibility with standard specifications: EN-60598, EN-1838

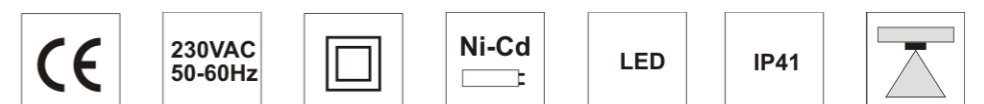
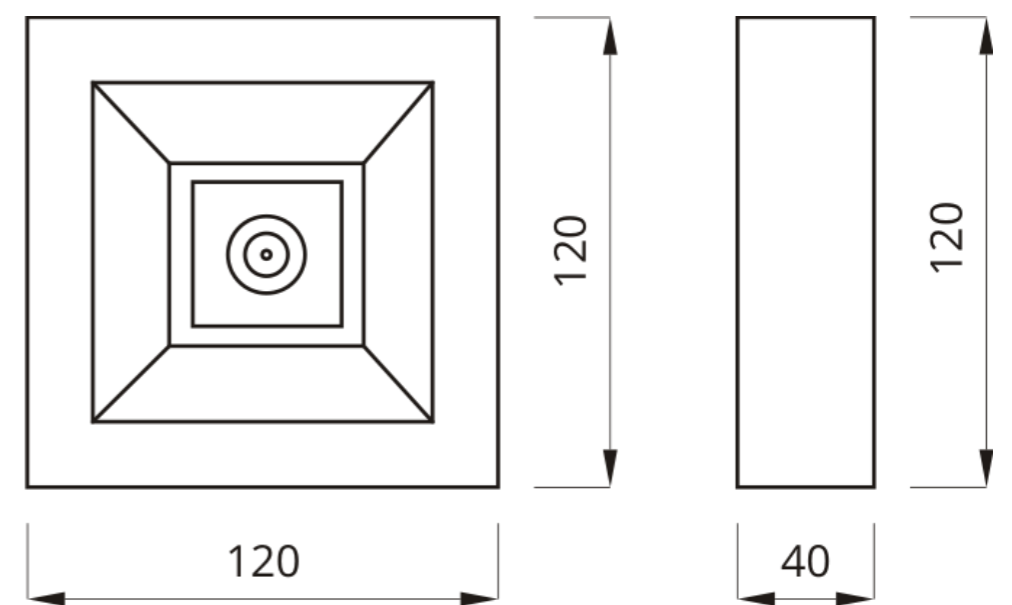


CONFIGURATION OF THE LUMINAIRE:

type	power [W]	version	autonomy [h]	mode
LVNO	1	E	1 3	SE
LVNC	1	E	1 3	SE

LEGEND:

LVNO - fitting LOVATO N with open area optic
LVNC - fitting LOVATO N with escape route optic
E - version ECO
SE - non-maintained



LOVATO P ECO

TECHNICAL SPECIFICATION:

MATERIALS:	white polycarbonate body
MOUNTING:	recessed in the ceiling
POWER SUPPLY:	230 VAC / 50 Hz
LIGHT SOURCE:	1W power LED with optic O - 121lm with optic C - 122lm
CHARGING:	24h
BATTERIES:	1h or 3h; Ni-Cd maintained-free HT batteries
INSULATION CL:	II
PROTECTION:	IP20
AMBIENT TEMP:	t _a : 0°C - 40°C
CONNECTORS:	3 x 2.5mm ²
ADDITIONAL INFO:	network power supply and battery charge LED indicator electronic protection against complete battery discharge compatibility with standard specifications: EN-60598, EN-1838

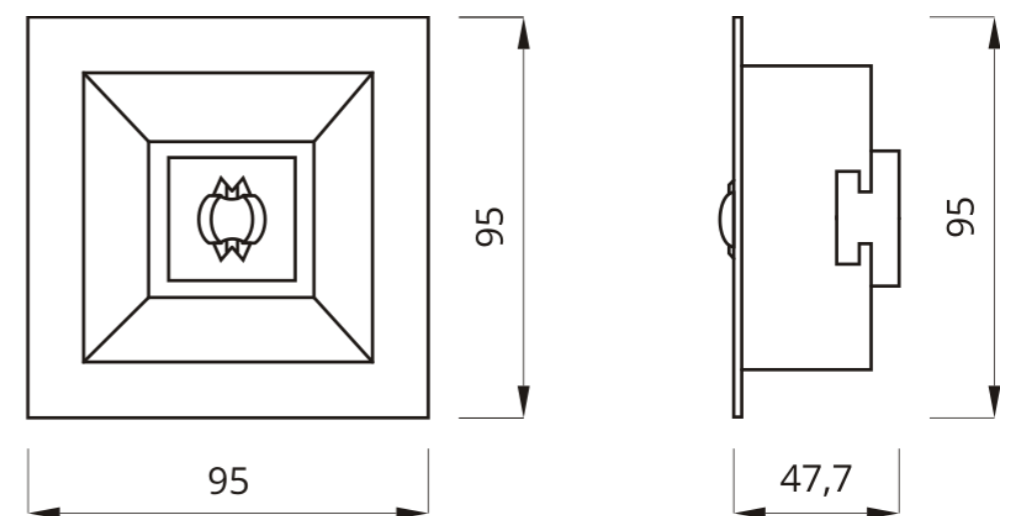


CONFIGURATION OF THE LUMINAIRE:

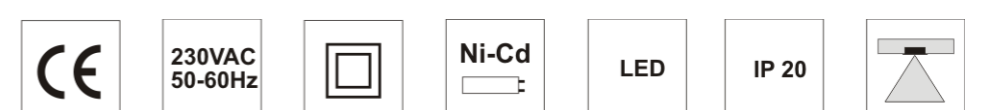
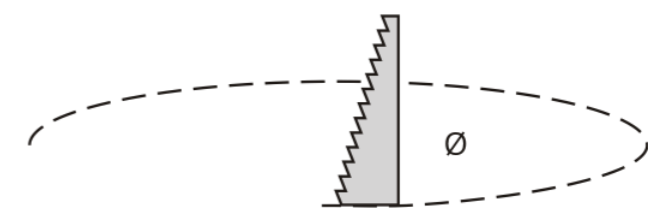
type	power [W]	version	autonomy [h]	mode
LVPO	1	E	1 3	SE
LVPC	1	E	1 3	SE

LEGEND:

LVPO - fitting LOVATO P with open area optic
LVPC - fitting LOVATO P with escape route optic
E - version ECO
SE - non-maintained



Dimension of assembly hole Ø 80mm



HELIOS LED ECO

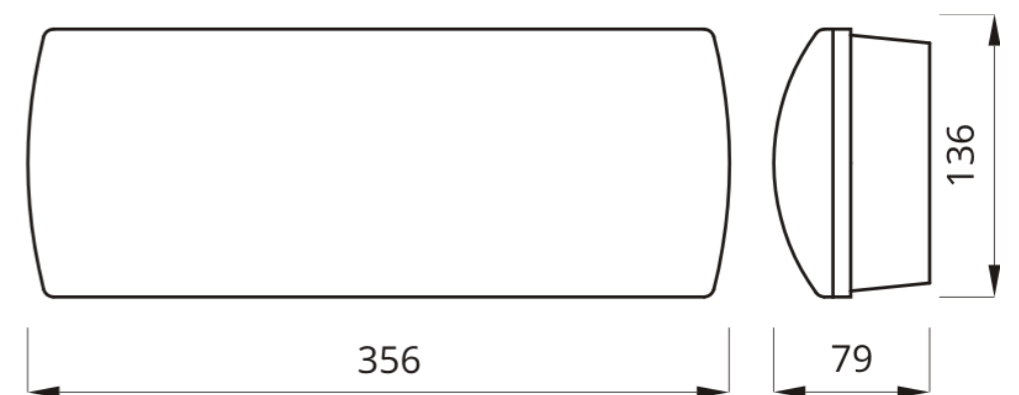
TECHNICAL SPECIFICATION:

MATERIALS:	white polycarbonate body transparent or opal polycarbonate cover
MOUNTING:	surface on the wall or on the ceiling
POWER SUPPLY:	230 VAC / 50 Hz
LIGHT SOURCE:	1.2W LED strip 70lm together with transparent cover
CHARGING:	24h
BATTERIES:	1h or 3h; Ni-Cd maintained-free HT batteries
INSULATION CL:	II
PROTECTION:	IP65
AMBIENT TEMP:	t _a : 0°C – 40°C
CONNECTORS:	3 x 2.5mm ²
ADDITIONAL INFO:	network power supply and battery charge LED indicator electronic protection against complete battery discharge compatibility with standard specifications: EN-60598, EN-1838 viewing distance – 25m



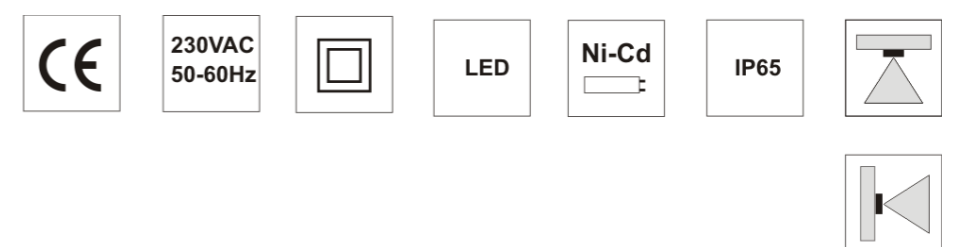
CONFIGURATION OF THE LUMINAIRE:

type	power [W]	version	autonomy [h]		mode		cover	
HL	1.2	E	1	3	SE	SA	TR	OP



LEGEND:

HL – fitting HELIOS LED IP65
E – version ECO
SE – non-maintained
SA – maintained
TR – transparent cover
OP – opal cover



HELIOS DS LED ECO

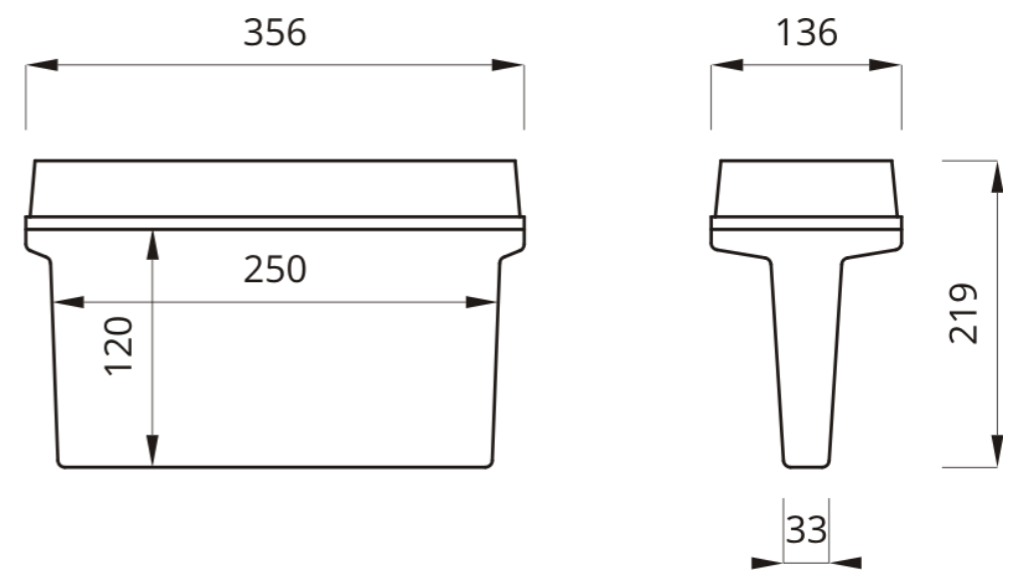
TECHNICAL SPECIFICATION:

MATERIALS:	white polycarbonate body opal polycarbonate cover
MOUNTING:	surface on the ceiling
POWER SUPPLY:	230 VAC / 50 Hz
LIGHT SOURCE:	1.2W LED strip
CHARGING:	24h
BATTERIES:	1h or 3h; Ni-Cd maintained-free HT batteries
INSULATION CL:	II
PROTECTION:	IP65
AMBIENT TEMP:	t _a : 0°C – 40°C
CONNECTORS:	3 x 2.5mm ²
ADDITIONAL INFO:	network power supply and battery charge LED indicator electronic protection against complete battery discharge compatibility with standard specifications: EN-60598, EN-1838 viewing distance – 25m



CONFIGURATION OF THE LUMINAIRE:

type	power [W]	version	autonomy [h]		mode	
HDL	1.2	E	1	3	SE	SA



LEGEND:

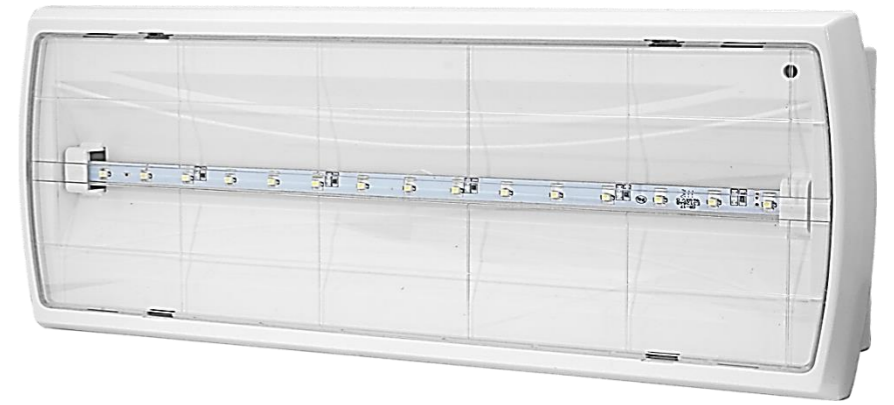
HDL – fitting HELIOS DS LED IP65
E – version ECO
SE – non-maintained
SA – maintained



TIGER LED ECO

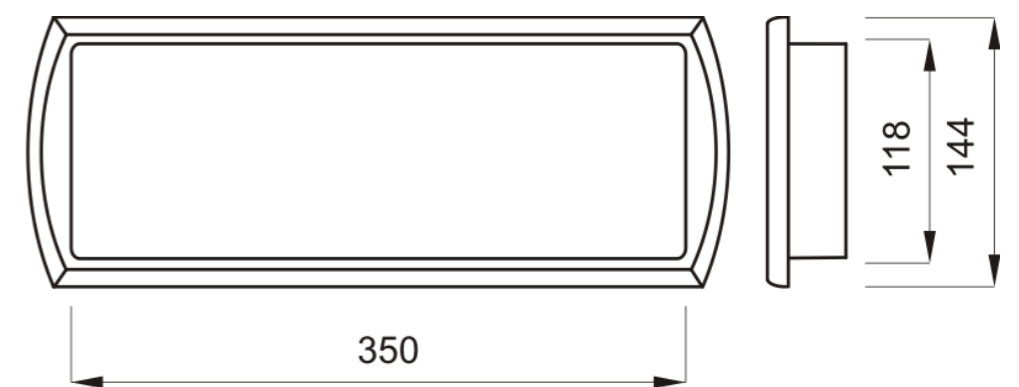
TECHNICAL SPECIFICATION:

MATERIALS:	white polycarbonate body transparent or opal polycarbonate cover
MOUNTING:	surface on the wall or on the ceiling optionally recessed into the wall or into the ceiling
POWER SUPPLY:	230 VAC / 50 Hz
LIGHT SOURCE:	1.2W LED strip 70lm together with transparent cover
CHARGING:	24h
BATTERIES:	1h or 3h; Ni-Cd maintained-free HT batteries
INSULATION CL:	II
PROTECTION:	IP22
AMBIENT TEMP:	t _a : 0°C – 40°C
CONNECTORS:	3 x 2.5mm ²
ADDITIONAL INFO:	network power supply and battery charge LED indicator electronic protection against complete battery discharge compatibility with standard specifications: EN-60598, EN-1838 viewing distance – 20m



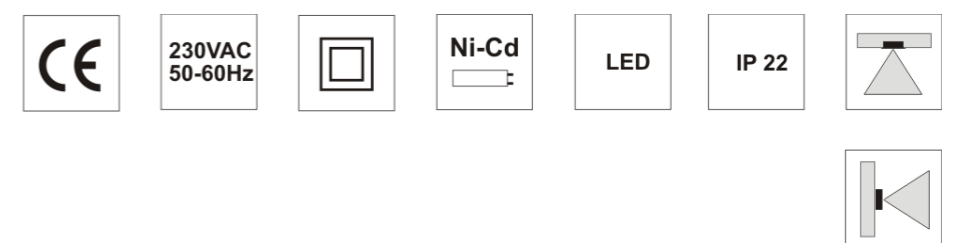
CONFIGURATION OF THE LUMINAIRE:

type	power [W]	version	autonomy [h]		mode		cover	
TL	1.2	E	1	3	SE	SA	TR	OP



LEGEND:

TL – fitting TIGER LED
E – version ECO
SE – non-maintained
SA – maintained
TR – transparent cover
OP – opal cover



TIGER DS LED ECO

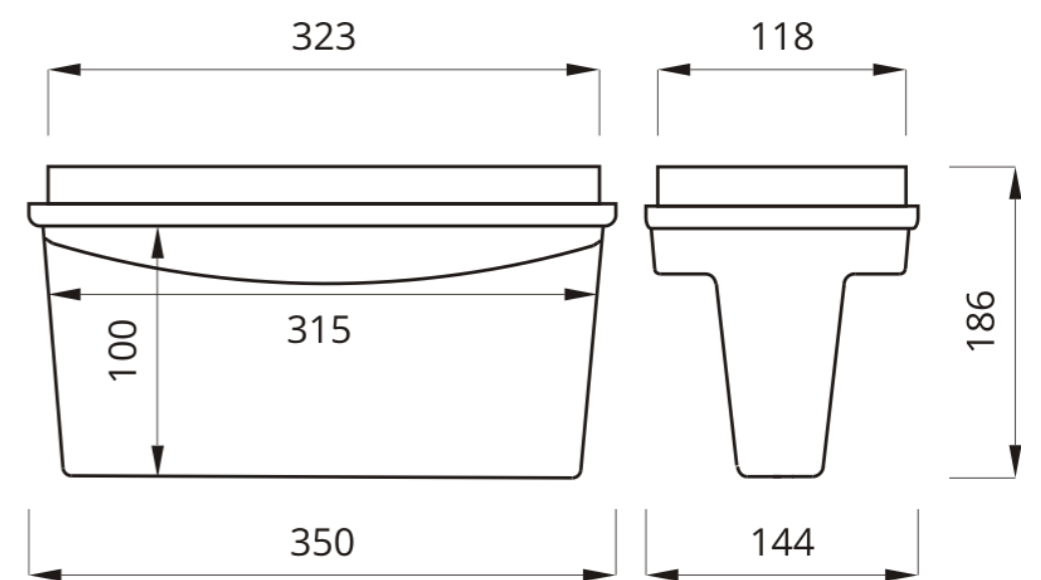
TECHNICAL SPECIFICATION:

MATERIALS:	white polycarbonate body opal polycarbonate cover
MOUNTING:	surface on the ceiling
POWER SUPPLY:	230 VAC / 50 Hz
LIGHT SOURCE:	1.2W LED strip
CHARGING:	24h
BATTERIES:	1h or 3h; Ni-Cd maintained-free HT batteries
INSULATION CL:	II
PROTECTION:	IP22
AMBIENT TEMP:	t _a : 0°C – 40°C
CONNECTORS:	3 x 2.5mm ²
ADDITIONAL INFO:	network power supply and battery charge LED indicator electronic protection against complete battery discharge compatibility with standard specifications: EN-60598, EN-1838 viewing distance – 20m



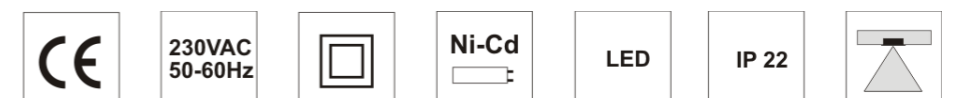
CONFIGURATION OF THE LUMINAIRE:

type	power [W]	version	autonomy [h]		mode	
TSL	1.2	E	1	3	SE	SA



LEGEND:

TSL – fitting TIGER DS LED
E – version ECO
SE – non-maintained
SA – maintained



TIGER DSR LED ECO

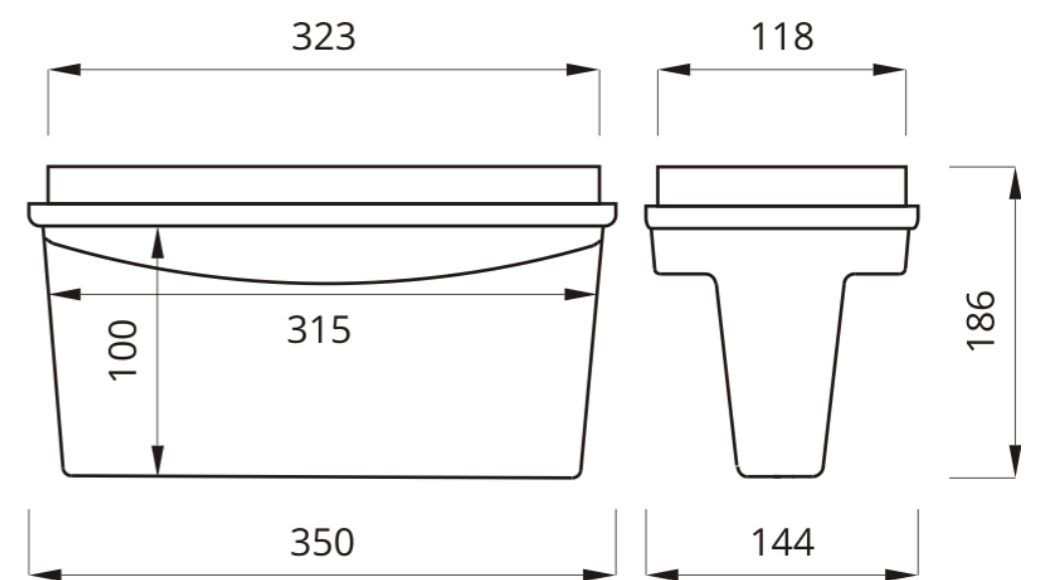
TECHNICAL SPECIFICATION:

MATERIALS:	white polycarbonate body opal polycarbonate cover
MOUNTING:	recessed into the ceiling
POWER SUPPLY:	230 VAC / 50 Hz
LIGHT SOURCE:	1.2W LED strip
CHARGING:	24h
BATTERIES:	1h or 3h; Ni-Cd maintained-free HT batteries
INSULATION CL:	II
PROTECTION:	IP22
AMBIENT TEMP:	t _a : 0°C – 40°C
CONNECTORS:	3 x 2.5mm ²
ADDITIONAL INFO:	network power supply and battery charge LED indicator electronic protection against complete battery discharge compatibility with standard specifications: EN-60598, EN-1838 viewing distance – 20m



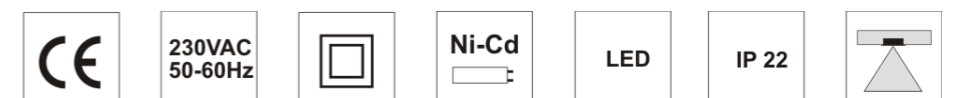
CONFIGURATION OF THE LUMINAIRE:

type	power [W]	version	autonomy [h]		mode	
TSRL	1.2	E	1	3	SE	SA



LEGEND:

TSRL – fitting TIGER DSR LED
E – version ECO
SE – non-maintained
SA – maintained



P.P.H.U. AWEX Rafał Stanuch

Masłomiąca, ul. Długa 39

32-091 Michałowice, Poland

tel.: (+48) 12 681 55 00, fax: (+48) 12 681 55 26

e-mail: export@awex.eu

www.awex.eu

