



MASTER LEDspot LV

MAS LEDspotLV D 6.5-35W 927 MR16 60D

Delivering a warm, halogen-like accent beam, MASTER LEDspot LV is an ideal retrofit solution for spot and general lighting applications in the hospitality industry. It is particularly suited to public areas such as receptions, lobbies, corridors, stairwells and washrooms, where the light is on all the time. The robustly designed MASTER LEDspot offers a choice of beam angles for a clearly defined beam spread. There is no UV or IR in the beam, making it suitable for illuminating heat-sensitive objects (food, organic materials, paintings, etc.). The patented intelligent driver enables broad compatibility with existing electromagnetic and electronic halogen transformers. The dimmable versions drive further efficiencies, while helping to create the desired atmosphere.

Product data

General Information		Color Rendering Index (Nom)	
Cap-Base	GU5.3 [GU5.3]		90
Bulb Shape	MR16 [2inch/50mm]	LLMF At End Of Nominal Lifetime (Nom)	70 %
Nominal Lifetime (Nom)	40000 h	Luminous Flux In 90° Cone (Rated)	365 lm
Switching Cycle	50000X	Operating and Electrical	
Technical Type	6.5-35W	Power (Rated) (Nom)	6.5 W
		Lamp Current (Nom)	720 mA
		Wattage Equivalent	35 W
		Starting Time (Nom)	0.5 s
		Warm Up Time To 60% Light (Nom)	0.5 s
		Power Factor (Nom)	0.7
		Voltage (Nom)	12 V
Light Technical		Temperature	
Color Code	927	T-Case Maximum (Nom)	92 °C
Beam Angle (Nom)	60 °		
Light Distribution	Wide beam 60°		
Luminous Intensity (Nom)	440 cd		
Color Designation	Warm White (WW)		
Rated Beam Angle	60 °		
Correlated Color Temperature (Nom)	2700 K		
Luminous Efficacy (rated) (Nom)	56.92 lm/W		
Color Consistency	<6		

MASTER LEDspot LV

Controls and Dimming

Dimmable	Yes
----------	-----

Approval and Application

Suitable For Accent Lighting	Yes
------------------------------	-----

Energy Efficiency Label (EEL)	A
-------------------------------	---

Energy Consumption kWh/1000 h	7 kWh
-------------------------------	-------

Product Data

Full product code	871869669860000
-------------------	-----------------

Order product name	MAS LEDspotLV D 6.5-35W 927 MR16 60D
--------------------	--------------------------------------

EAN/UPC - Product	8718696698600
-------------------	---------------

Order code	929001153432
------------	--------------

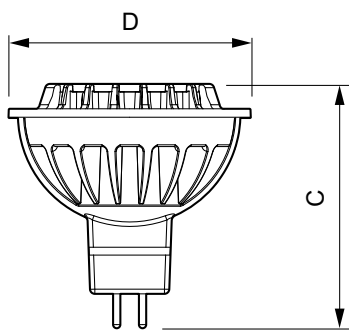
Numerator - Quantity Per Pack	1
-------------------------------	---

Numerator - Packs per outer box	10
---------------------------------	----

Material Nr. (12NC)	929001153432
---------------------	--------------

Net Weight (Piece)	0.045 kg
--------------------	----------

Dimensional drawing



LED D 7-35W 827 MR16 60D

Product	D	C
---------	---	---

