

CorePro LEDspot MV

CorePro LEDspotMV ND 2.7-40W 827 R63 36D



CorePro LEDspots are a perfect fit for spot lighting and deliver warm halogen-like light. They are compatible with most existing fixtures with a GU10 or E14 holder and are designed as a retrofit replacement for halogen or incandescent spots. LEDlamps deliver huge energy savings and minimize maintenance cost.

Product data

• General Information

Cap-Base	E27 [E27]
Bulb Shape	R63
Nominal Lifetime (Nom)	15000 h
Switching Cycle	50000X
B50L70	15000
Technical Type	2.7-40W

• Light Technical

Color Code	827 [CCT of 2700K]
Beam Angle (Nom)	36 °
Luminous Intensity (Nom)	450 cd
Color Designation	Warm White (WW)
Rated Beam Angle	36 °
Correlated Color Temperature (Nom)	2700 K
Luminous Efficacy (rated) (Nom)	77.78 lm/W
Color Consistency	<6
Color Rendering Index (Nom)	80
LLMF At End Of Nominal Lifetime (Nom)	70 %
Luminous Flux In 90° Cone (Rated)	210 lm

• Operating and Electrical

Power (Rated) (Nom)	2.7 W
Lamp Current (Nom)	25 mA
Wattage Equivalent	40 W
Starting Time (Nom)	0.5 s

Warm Up Time To 60% Light (Nom)	0.5 s
Power Factor (Nom)	0.4
Voltage (Nom)	220-240 V

• Temperature

T-Case Maximum (Nom)	82 °C
----------------------	-------

• Controls and Dimming

Dimmable	No
----------	----

• Mechanical and Housing

Dimensions (Height x Width x Depth)	NaN x NaN x NaN mm (NaN x NaN x NaN in)
-------------------------------------	---

• Approval and Application

Energy Saving Product	Yes
Suitable For Accent Lighting	Yes
Energy Efficiency Label (EEL)	A++
Energy Consumption kWh/1000 h	3 kWh

• Product Data

Full product code	871869657859900
Order product name	CorePro LEDspotMV ND 2.7-40W 827 R63 36D
EAN/UPC - Product	8718696578599
Order code	929001233602

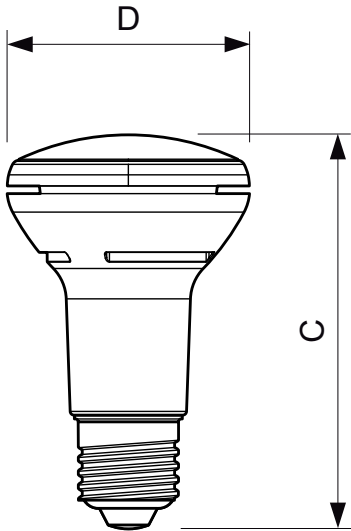
PHILIPS

CorePro LEDspot MV

Numerator - Quantity Per Pack 1
Numerator - Packs per outer box 6

Material Nr. (12NC) 929001233602
Net Weight (Piece) 0.065 kg

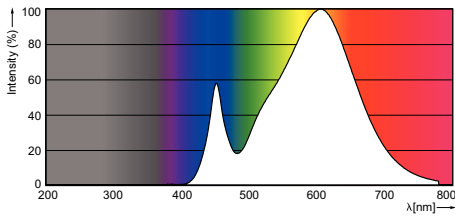
Dimensional drawing



R63 220-240V 4W-40W 207lm 2700K E27 ND

Product	D	C
CorePro LEDspotMV ND 2.7-40W 827 R63 36D	63 mm	102 mm

Photometric data



© 2016 Philips Lighting Holding B.V.
All rights reserved.

Specifications are subject to change without notice. Trademarks are the property of Koninklijke Philips N.V. (Royal Philips) or their respective owners.

www.philips.com/lighting

2016, September 8
data subject to change