

CorePro LEDspot MV

CorePro LEDspotMV ND 7-100W 827 R80 40D



CorePro LEDspots are a perfect fit for spot lighting and deliver warm halogen-like light. They are compatible with most existing fixtures with a GU10 or E14 holder and are designed as a retrofit replacement for halogen or incandescent spots. LEDlamps deliver huge energy savings and minimize maintenance cost.

Product data

• General Information

Cap-Base	E27 [E27]
Bulb Shape	R80 [R 80mm]
Nominal Lifetime (Nom)	15000 h
Switching Cycle	50000X
B50L70	15000
Technical Type	7-100W

• Light Technical

Color Code	827 [CCT of 2700K]
Beam Angle (Nom)	40 °
Luminous Intensity (Nom)	1500 cd
Color Designation	Warm White (WW)
Rated Beam Angle	40 °
Correlated Color Temperature (Nom)	2700 K
Luminous Efficacy (rated) (Nom)	95.29 lm/W
Color Consistency	<6
Color Rendering Index (Nom)	80
LLMF At End Of Nominal Lifetime (Nom)	70 %
Luminous Flux In 90° Cone (Rated)	667 lm

• Operating and Electrical

Power (Rated) (Nom)	7 W
Lamp Current (Nom)	58 mA
Wattage Equivalent	100 W
Starting Time (Nom)	0.5 s

Warm Up Time To 60% Light (Nom)	0.5 s
Power Factor (Nom)	0.5
Voltage (Nom)	220-240 V

• Temperature

T-Case Maximum (Nom)	67 °C
----------------------	-------

• Controls and Dimming

Dimmable	No
----------	----

• Approval and Application

Energy Saving Product	Yes
Suitable For Accent Lighting	Yes
Energy Efficiency Label (EEL)	A++
Energy Consumption kWh/1000 h	7 kWh

• Product Data

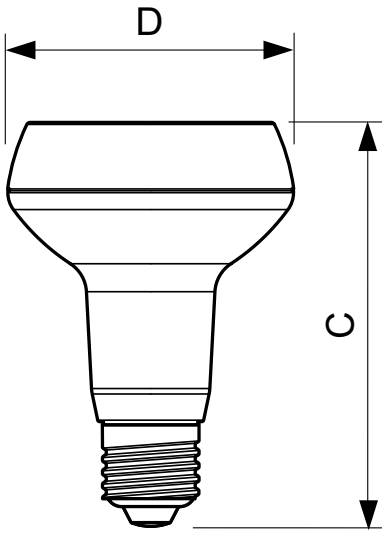
Full product code	871869658408800
Order product name	CorePro LEDspotMV ND 7-100W 827 R80 40D
EAN/UPC - Product	8718696584088
Order code	929001235702
Numerator - Quantity Per Pack	1
Numerator - Packs per outer box	6
Material Nr. (12NC)	929001235702

PHILIPS

CorePro LEDspot MV

Net Weight (Piece) 0.088 kg

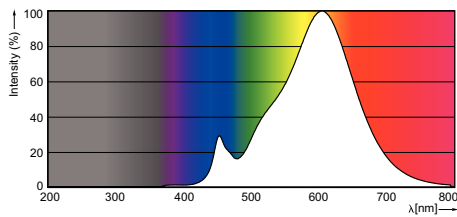
Dimensional drawing



R80 220-240V 10W-100W 667lm 2700K E27 ND

Product	D	C
CorePro LEDspotMV ND 7-100W 827 R80 40D	80 mm	113 mm

Photometric data



© 2016 Philips Lighting Holding B.V.
All rights reserved.

Specifications are subject to change without notice. Trademarks are the property of Koninklijke Philips N.V. (Royal Philips) or their respective owners.

www.philips.com/lighting

2016, September 16
data subject to change