

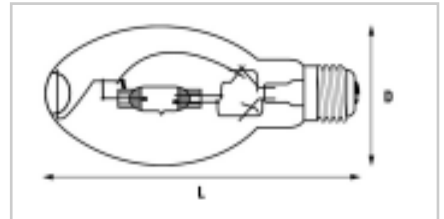
Product selected: HSI-HX 250W CO

Product Attributes	
Item description	HSI-HX 250W CO
Nominal wattage (W)	245
Rated wattage at 50 Hz (W)	243.3
Nominal Voltage (V)	130
Nominal Current (A)	2.1
Cap	E40
Maximum Lamp length L [mm]	227
Diameter D [mm]	90
Bulb finish / Light colour	Coated
Rated luminous flux at 25°C (lm)	23362
Rated lamp efficacy (lm/W) at 100 h - 50 Hz	86
Rated lumen maint. Factor at 2000 h	0.81
Rated lumen maint. Factor at 4000 h	0.68
Rated lumen maint. Factor at 6000 h	0.60
Rated lumen maint. Factor at 8000 h	0.55
Rated lumen maint. Factor at 12000 h	0.50
Rated lumen maint. Factor at 16000 h	0.48
Rated lumen maint. Factor at 20000 h	0.46
Nominal average life (h)	20000
Rated survival factor at 2000 h	1.00
Rated survival factor at 4000 h	0.99
Rated survival factor at 6000 h	0.97
Rated survival factor at 8000 h	0.94
Rated survival factor at 12000 h	0.84
Rated survival factor at 16000 h	0.69
Rated survival factor at 20000 h	0.50
Mercury content per lamp [mg]	36
Colour rendering Index - CRI (class / %)	2A/71
Colour temperature (K)	3800
Ambient temperature for max. lumen flux (°C)	25
Packing Quantity	12
EAN Code	5410288203553
Ordering Code	0020355

Product Image

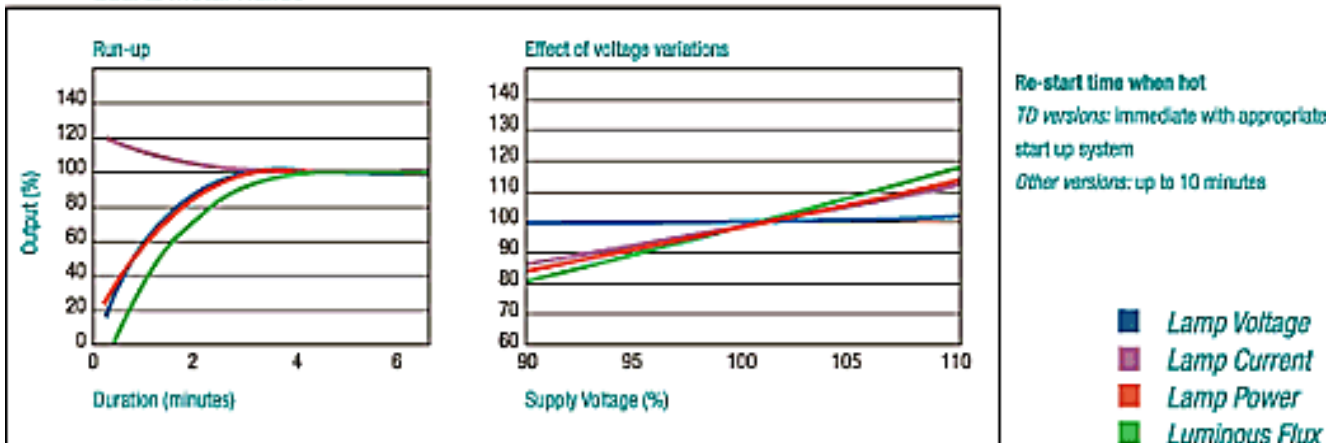


Product line drawing (image)

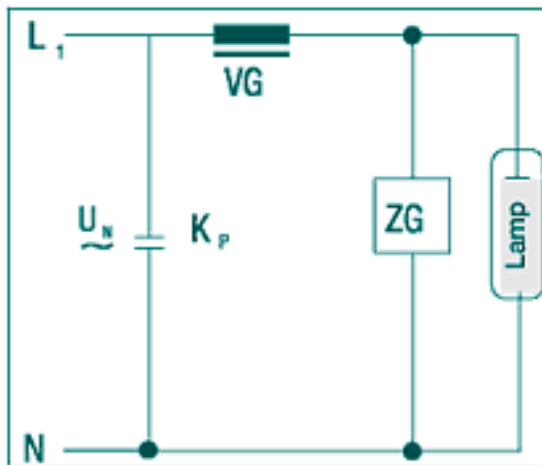


Run up characteristics (image)

Quartz Metal Halide



Circuit diagram (image)



- L Live conductor L_1, L_2, L_3
- N Neutral conductor
- U_N power supply voltage 230V~
(400V~ for HSI-T 2000V)
- VG ballast
- K_P lead capacitor
- ZG start-up system
- K_2 start-up capacitor
- ST stray field transformer
- CWA constant wattage autotransformer