

Product selected: SHP-TS 150W TwinArc

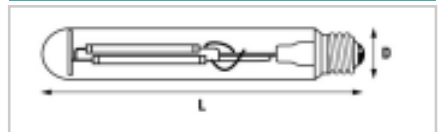
Product Attributes

Item description	SHP-TS 150W TwinArc
Nominal wattage (W)	150
Rated wattage at 50 Hz (W)	152.4
Nominal Voltage (V)	100
Nominal Current (A)	1.8
Cap	E40
Maximum Lamp length L [mm]	211
Diameter D [mm]	48
Bulb finish / Light colour	Clear
Rated luminous flux at 25°C (lm)	16718
Rated lamp efficacy (lm/W) at 100 h - 50 Hz	112
Rated lumen maint. Factor at 2000 h	0.98
Rated lumen maint. Factor at 4000 h	0.96
Rated lumen maint. Factor at 6000 h	0.94
Rated lumen maint. Factor at 8000 h	0.93
Rated lumen maint. Factor at 12000 h	0.91
Rated lumen maint. Factor at 16000 h	0.90
Rated lumen maint. Factor at 20000 h	0.89
Nominal average life (h)	55000
Rated survival factor at 2000 h	1.00
Rated survival factor at 4000 h	1.00
Rated survival factor at 6000 h	1.00
Rated survival factor at 8000 h	0.99
Rated survival factor at 12000 h	0.98
Rated survival factor at 16000 h	0.96
Rated survival factor at 20000 h	0.93
Mercury content per lamp [mg]	36.8
Colour rendering Index - CRI (class / %)	4/20
Colour temperature (K)	2050
Ambient temperature for max. lumen flux (°C)	25
Packing Quantity	12
EAN Code	5410288207391
Ordering Code	0020739

Product Image



Product line drawing (image)

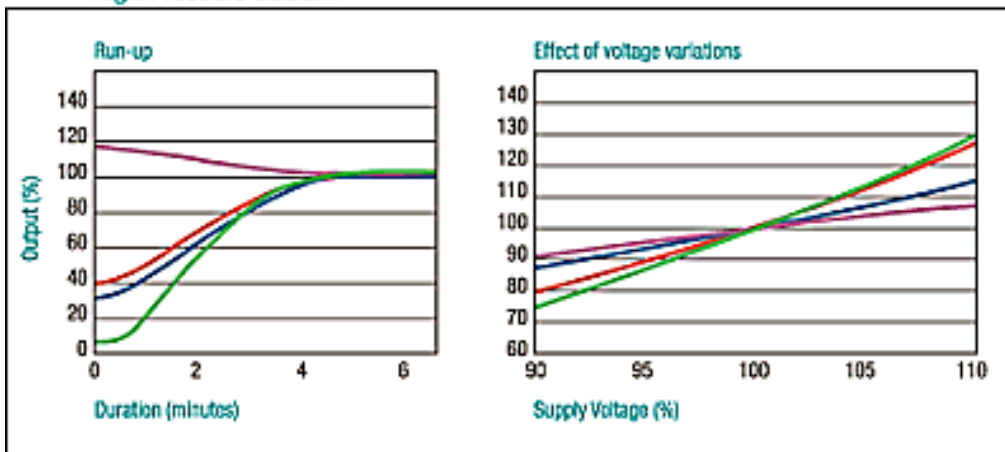


Fixture rating



Run up characteristics (image)

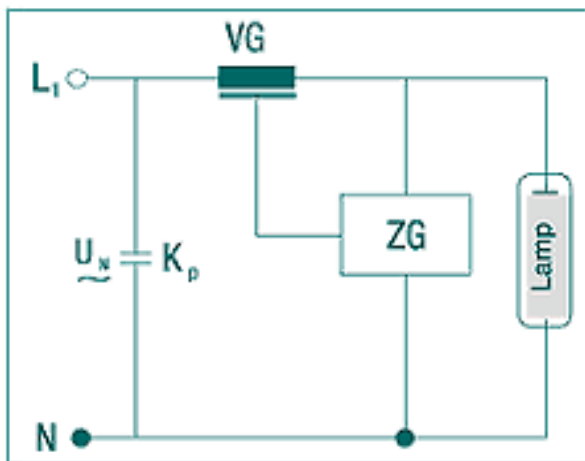
High Pressure Sodium



Re-start time when hot
 TwinArc, SBT: Immediate re-start
 Standard, Super & MF: up to 1 minute

- Lamp Voltage
- Lamp Current
- Lamp Power
- Luminous Flux

Circuit diagram (image)



- L Live conductor L_1, L_2, L_3
- N Neutral conductor
- U_N power supply voltage 230V~
(400V~ for HSI-T 2000V)
- VG ballast
- K_p lead capacitor
- ZG start-up system
- K_z start-up capacitor
- ST stray field transformer
- CWA constant wattage autotransformer